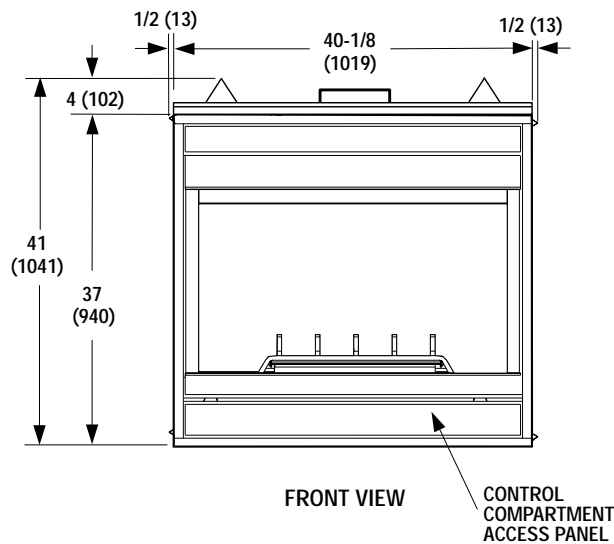
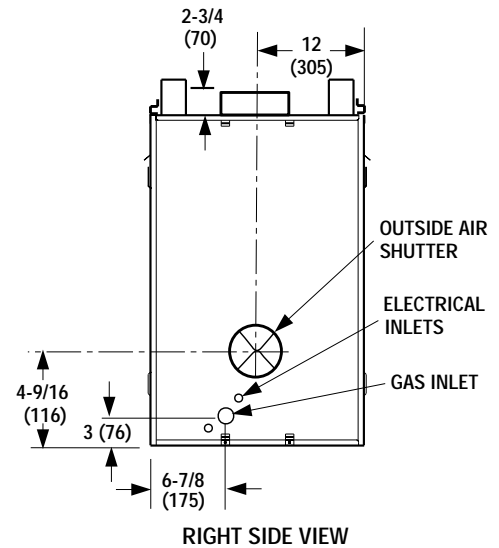
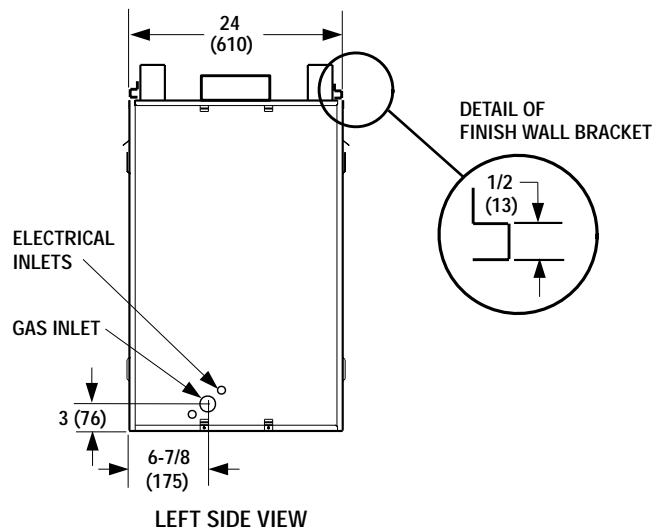
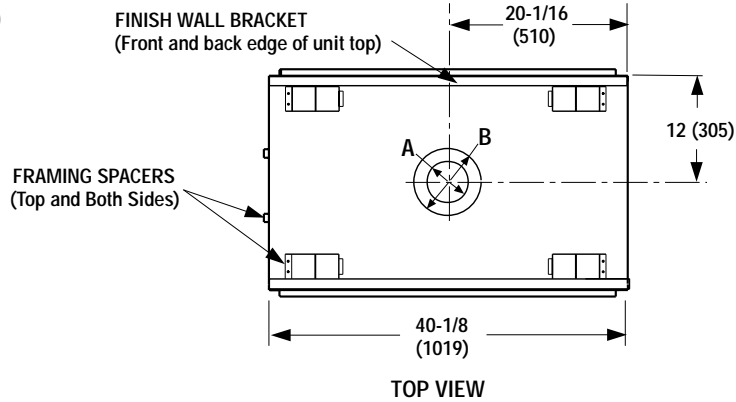


ELITE™ SERIES - EBVST

Appliance Specifications

EBVST (See-Through)



Note: Diagrams, illustrations and photographs are not to scale - Consult Installation Instructions. Product designs, materials, dimensions, specifications, colors and prices are subject to change or discontinuance without notice.

LENNOX
HEARTH PRODUCTS

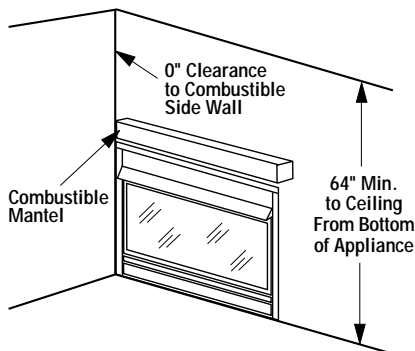
NOTE: DIAGRAMS & ILLUSTRATIONS NOT TO SCALE.

ELITE™ SERIES - EBVST

Mantels and Trim

Vertical installation clearances to combustible mantels vary according to the depth of the mantel. The figure below details these required clearances. Mantels constructed of non-combustible materials may be installed at any height above the appliance opening; however, do not allow anything to hang below the eyebrow.

Note: Paint or lacquer used to finish the mantel must be heat resistant in order to avoid discoloration.



Minimum Clearance To Combustibles

A hearth extension is not required with this appliance. If a hearth extension is used, it is merely for decorative purposes and does not have to meet standard hearth requirements. Do not block the lower louvered area.

Note: Combustible wall finish materials and/or surround materials must not be allowed to encroach the area defined by the appliance front face (black sheet metal). Never allow combustible materials to be positioned in front of or overlapping the appliance front face.

Wall Details

Drywall may be installed to within 1/2" of the top of the appliance on sides with glass panels. The 1/2" gap may be filled with non-combustible material.

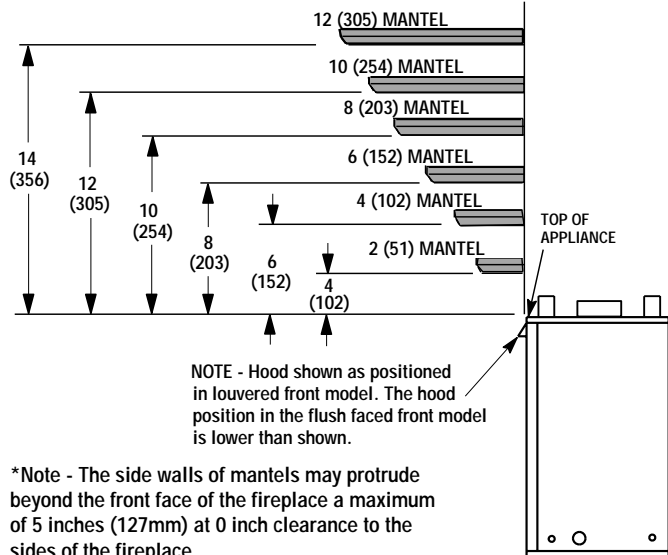
Side panel(s) to the Elite multi-open fireplaces are stepped to accommodate drywall as shown in the specifications drawings.

NOTE: DIAGRAMS & ILLUSTRATIONS NOT TO SCALE.

Fireplaces Finishes

MANTEL CLEARANCES

Inches (mm)

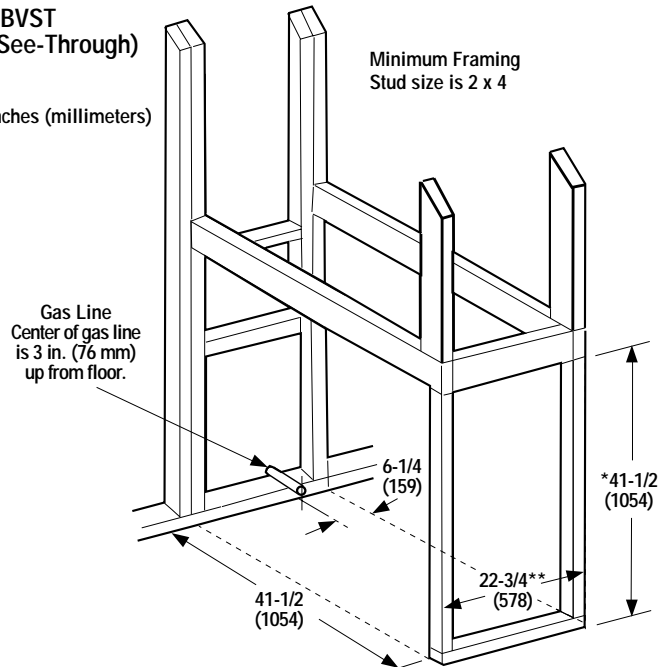


*Note - The side walls of mantels may protrude beyond the front face of the fireplace a maximum of 5 inches (127mm) at 0 inch clearance to the sides of the fireplace.

Framing Specifications

EBVST
(See-Through)

inches (millimeters)



*This dimension can be reduced to 41 inches (1041 mm). This results in 0 in. (0 mm) clearance between framing and unit framing spacers. (The 41-1/2 in. dimension permits easier fireplace installation, if unit is installed after framing is erected.)

**Based on 5/8" drywall. Use 23" for 1/2" drywall.

Note: All framing dimensions calculated for 1/2" dry wall at the appliance face. If sheathing the chase or finishing with other thickness materials, calculations will need to be made.

LENNOX

HEARTH PRODUCTS

506035-17 Rev. N/C 09/09