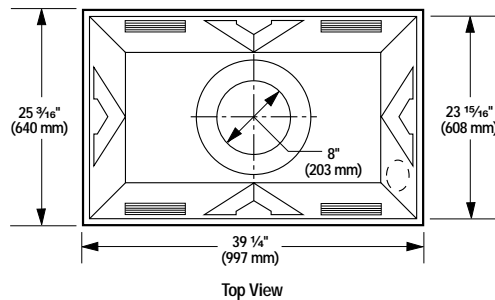
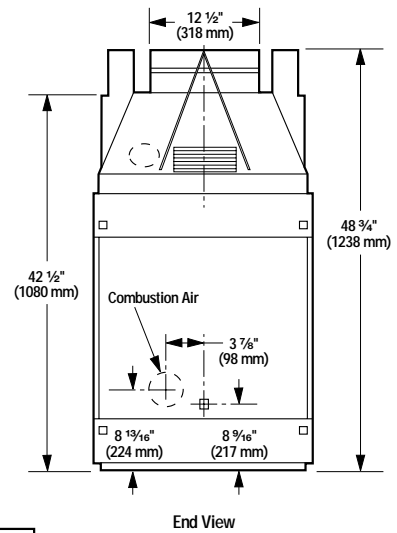
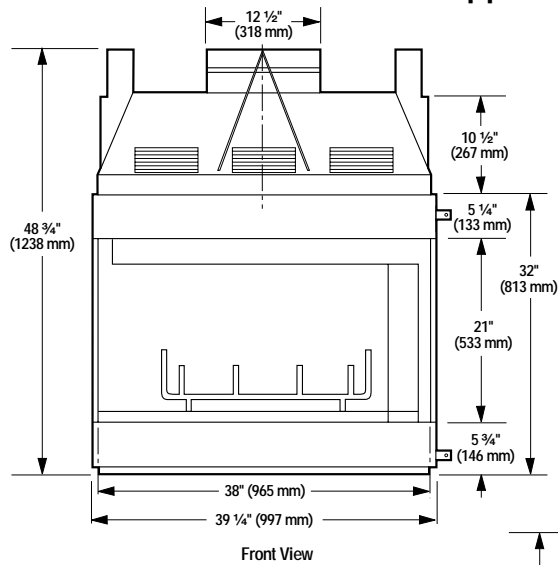


MERIT™ SERIES CPF-38

Appliance Specifications



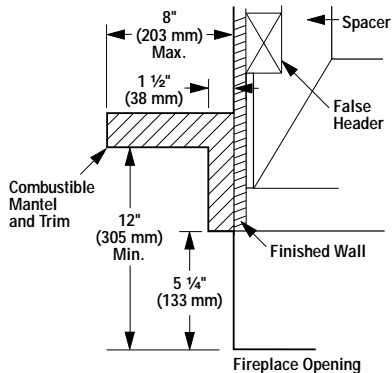
Model	Part Number	Weight
CPF-38	052011	210 lbs.

Note: All specifications, ratings and dimensions are subject to change without notice.

Fireplace Finishes

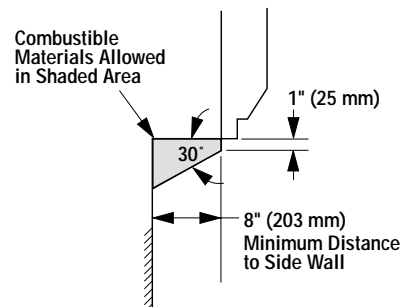
Mantels And Trim

Combustible mantels and trim may be installed 12" (305 mm) above the fireplace opening as per NFPA 211; Section 7-2.3.3. and the Mantel limitation diagram. If a mantel is of a noncombustible material, it is exempt from these requirements as long as it does not interfere with the installation or operation of glass doors.



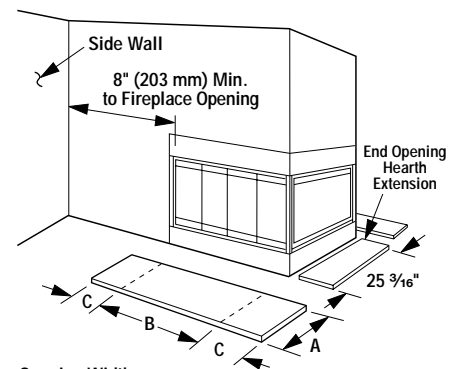
Vertical Surround Limitations

Combustible materials may project beyond the sides of the fireplace opening as long as they are kept within the shaded areas illustrated in the diagram below.



Hearth Extensions & Wall Shields

A hearth extension must be installed with all fireplaces. Its purpose is twofold. It protects a combustible floor in front of the fireplace from both radiant heat and sparks and it distinguishes the prescribed hearth extension area from other non-protected surfaces.



- Opening Width
 A - 16" (406 mm)
 B - 28 1/2" (724 mm)
 C - 8" (203 mm)
 D - 44 1/2" (1130 mm)

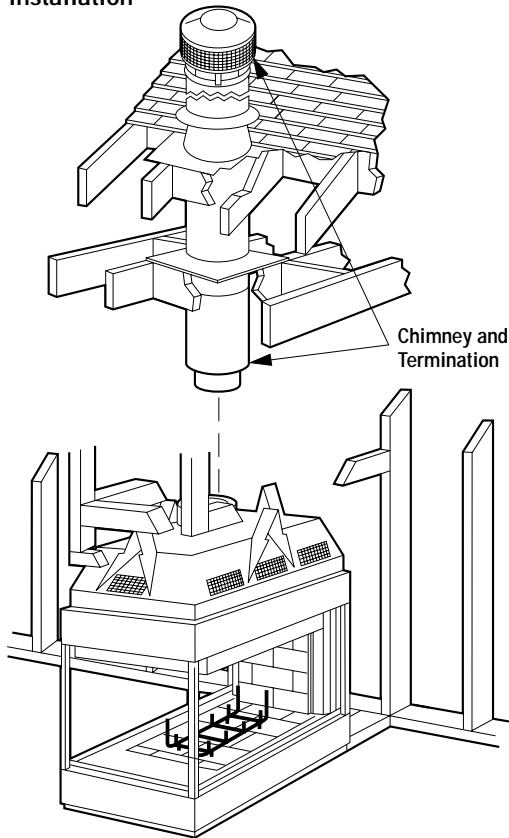
NOTE: DIAGRAMS & ILLUSTRATIONS NOT TO SCALE.



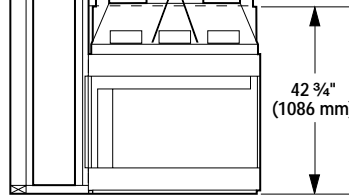
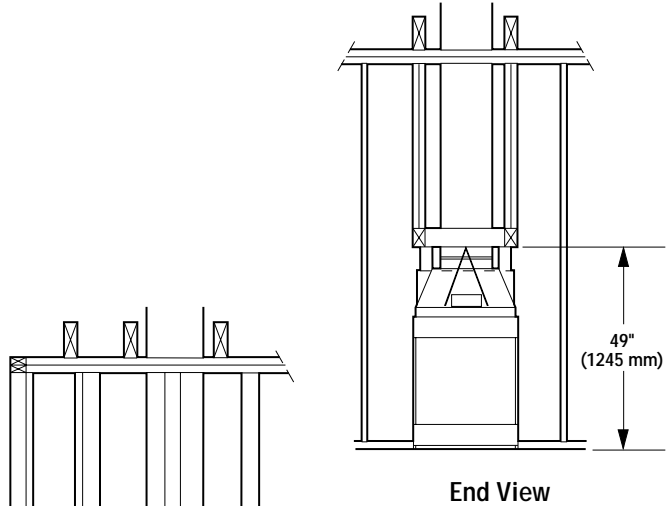
MERIT™ SERIES CPF-38

Framing Specifications

Typical Installation

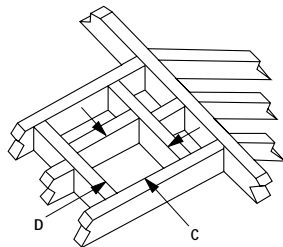


Note: All framing dimensions calculated for 1/2" dry wall at the appliance face. If sheathing the chase or finishing with other thickness materials, calculations will need to be made.



Framing Dimensions for Roof

Pitch	FTF8 at 2" (51 mm)	
	C	D*
0/12	16 1/2" (419 mm)	16 1/2" (419 mm)
6/12	16 1/2" (419 mm)	19" (483 mm)
12/12	16 1/2" (419 mm)	23 1/2" (597 mm)

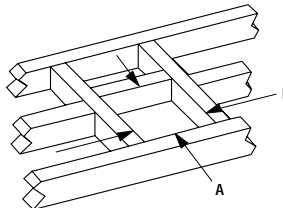


Roof Framing

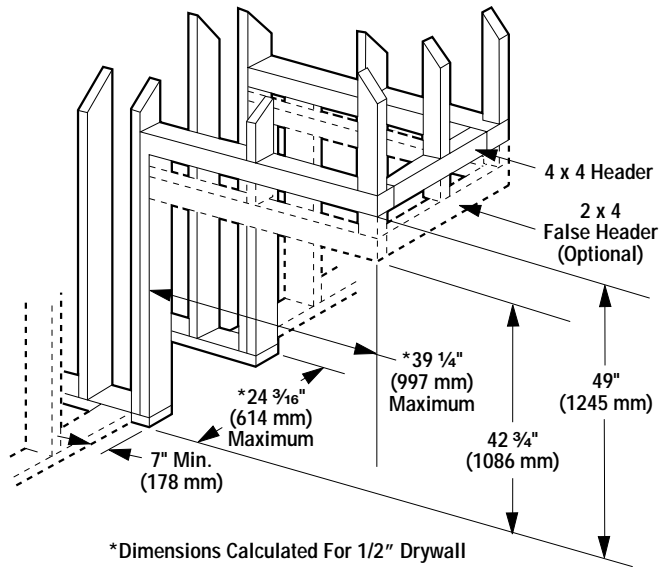
* Perpendicular to Roof Ridge.

Framing Dimensions for Ceiling

Flue Type	Ceiling Opening	
	A	B
FTF8, Vertical at 2" (51 mm)	16 1/2" (419 mm)	16 1/2" (419 mm)
FTF8, Offset At 2" (51 mm)	16 1/2" (419 mm)	27" (686 mm)



Ceiling Framing



*Dimensions Calculated For 1/2" Drywall

Framing

NOTE: DIAGRAMS & ILLUSTRATIONS NOT TO SCALE.

