

BIS® Tradition CE

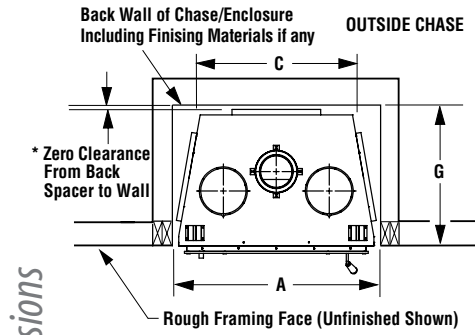
EPA Wood Burning Fireplaces Specifications

PRODUCT REFERENCE INFORMATION	
Model: BIS TRADITION CE, Cat. No. BISTRADCE	
Weight	300 lbs
Height	36"
Width	36"
Depth	24-1/2"
Firebox W x H x D measured in front	22" x 11-3/4" x 12"
Chimney weight ASHT* (6" dia)	6.25 lb/ft.
Chimney weight AC* (6" dia.)	3.25 lb/ft.
Chimney Weight S-2100+* (6" dia.)	10.8 lb/ft.

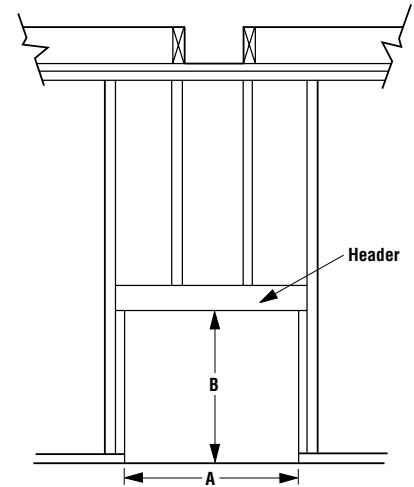
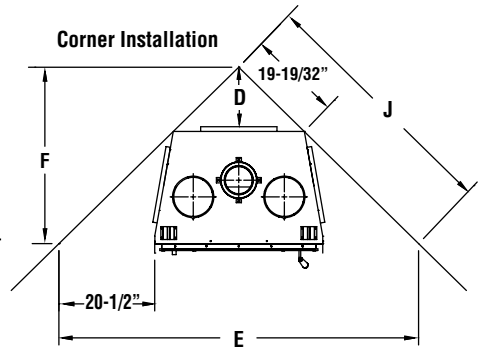
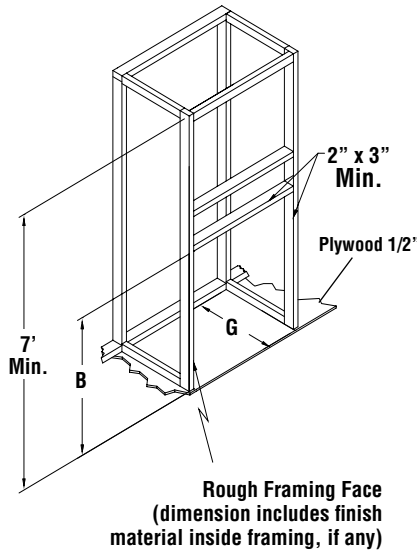
*Available from Security Chimneys™

FRAMING DIMENSIONS Fireplace Opening Width		
A	36-1/4"	921 mm
B	42"	1067 mm
C	30-1/16"	764 mm
D	13-1/2"	343 mm
E	77"	1956 mm
F	37-1/2"	953 mm
G	*24-1/2"	603 mm
J	53-3/4"	1365 mm

* Total depth is 25 inches including the backspacer minus 1/2 inch for drywall to be flush with the facing.



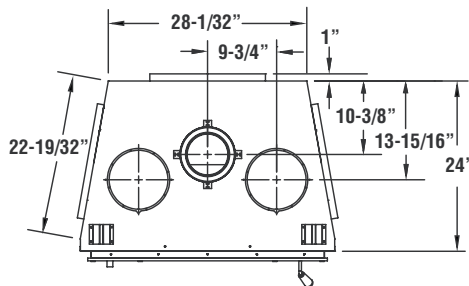
Framing Dimensions



Intertek

These fireplaces have been tested and listed by ITS - Listing mark, Warnock Hersey to ULC-S610 & UL-127.

Report No. 307-4084
EPA Cert. No. 537



Notes
Diagrams, illustrations and photographs are not to scale – consult installation instructions. Product designs, materials, dimensions, specifications, colors and prices are subject to change or discontinuance without notice.
All framing dimensions calculated for 1/2" dry wall at the fireplace face. If sheathing the chase or finishing with other thickness materials, calculations will need to be made.
* The fireplace must not be in contact with any insulation or loose filling material. Cover the insulation with drywall panels around the fireplace.

PARTS REQUIRED

- 6" diameter chimney* - Model ASHT+, S-2100+, HT6000+, HT6103+ or AC manufactured by Security Chimneys International only, including:
 - Chimney lengths
 - Elbows (where necessary)
 - Associated components as per these installation instructions
- Decorative Door - Required (Order Separately)
 - Available in black, gold or brushed nickel
- Front Facade kit - Required (Order Separately)
 - Available in black, brushed nickel or hammered steel
- UZY5 blower (included)
- VRUW Blower Speed Control (included)
- Outside air kit (included)

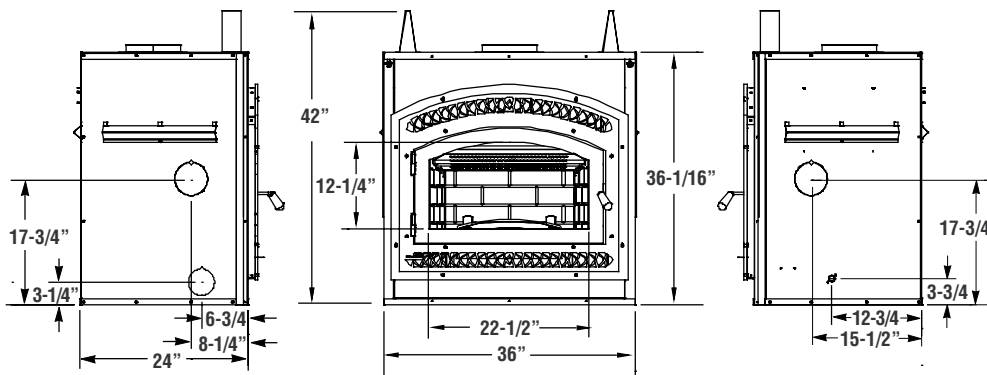
OPTIONAL EQUIPMENT

- Additional Equipment
 - AC Chimney Adaptor* (required if using AC Chimney)
 - AC chimney outside air kit
 - Gravity venting system
 - Rigid firescreen

*Available from Security Chimneys™

Listing Information

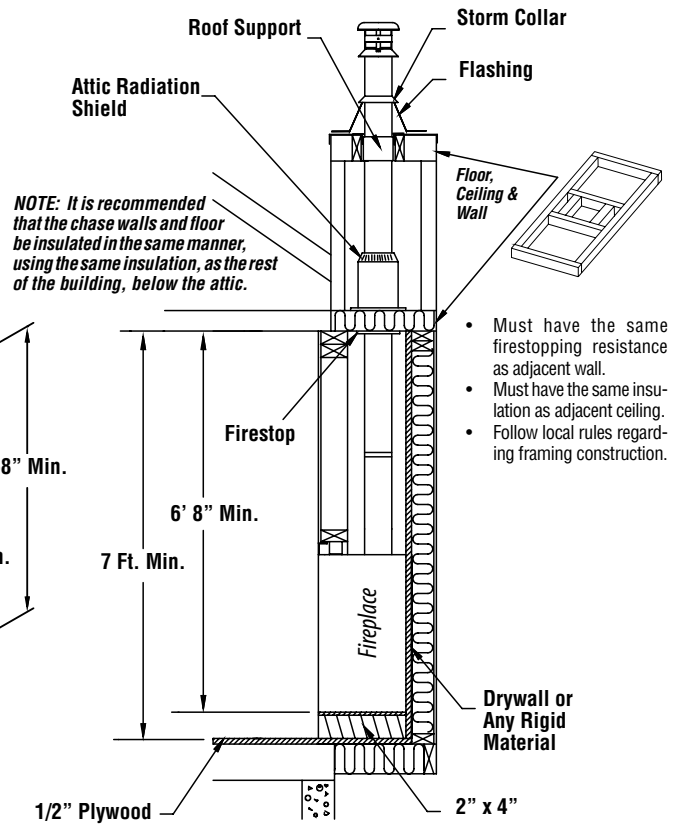
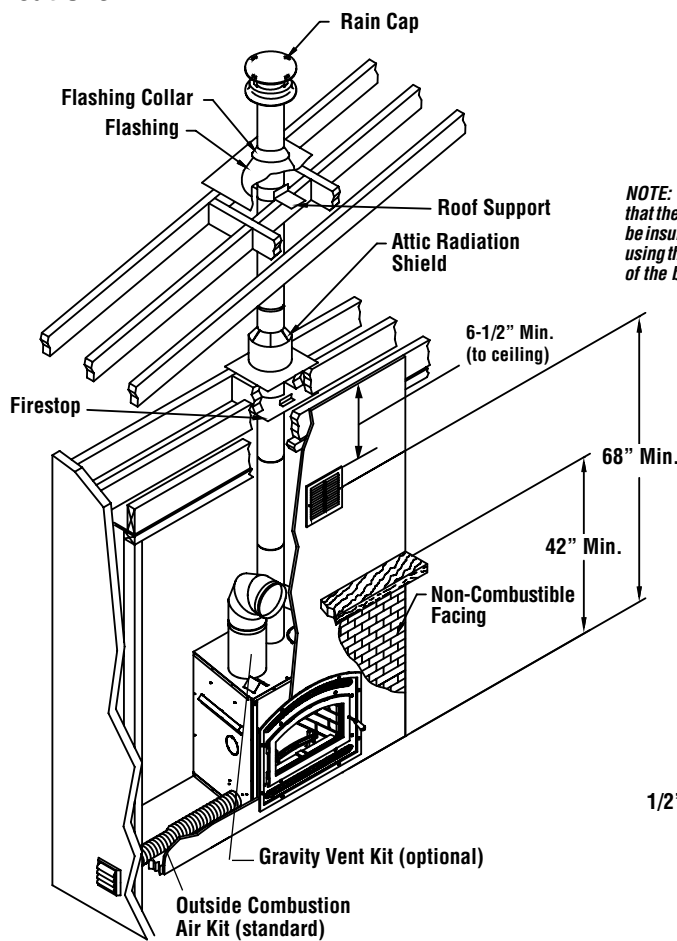
Fireplace Dimensions



BIS® Tradition CE

EPA Wood Burning Fireplaces Specifications

Typical Installations



- Must have the same firestopping resistance as adjacent wall.
- Must have the same insulation as adjacent ceiling.
- Follow local rules regarding framing construction.

Combustible Clearances

CLEARANCE TO COMBUSTIBLES

The following clearances meet the minimum requirements for a safe installation:

Side wall: 17" (324 mm) measured from the fireplace side.

Ceiling: 6' 8" (2032 mm) measured from the base of the fireplace.

Fireplace enclosure:

- Bottom:** 0"
- Side:** 0" to spacer
- Back:** 0" to spacer

Top: Do not fill the space above the fireplace with any material (Except the wood framing)

Chimney: 2" (50 mm)

Mantel: 42" (1067 mm) measured from the base of the fireplace.

