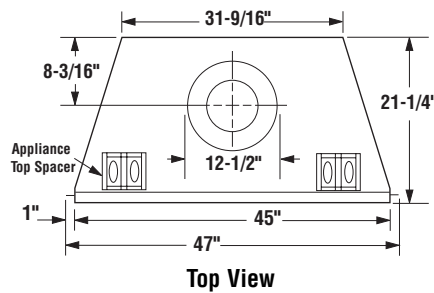
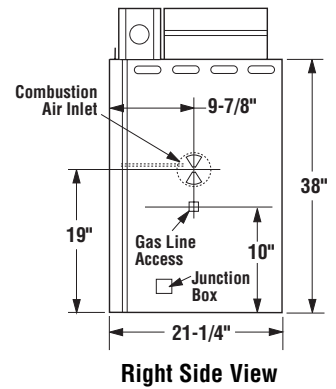
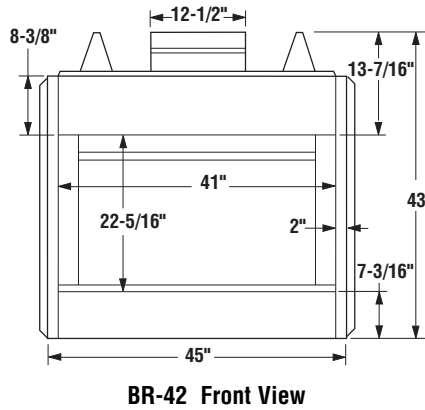
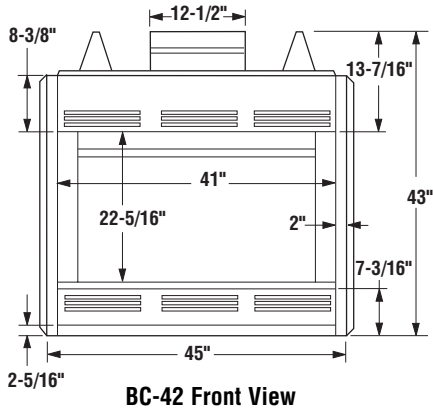


BC-42, BR-42

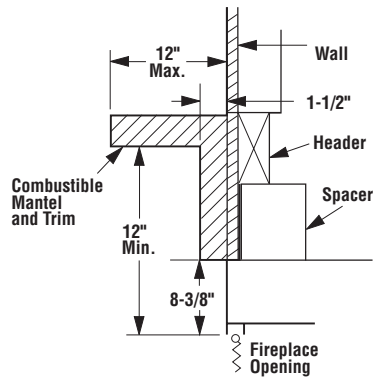
Appliance Specifications



Fireplace Finishes

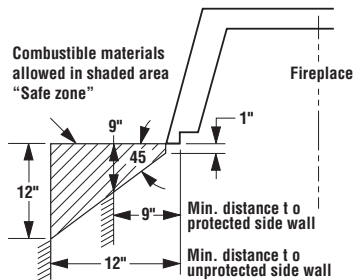
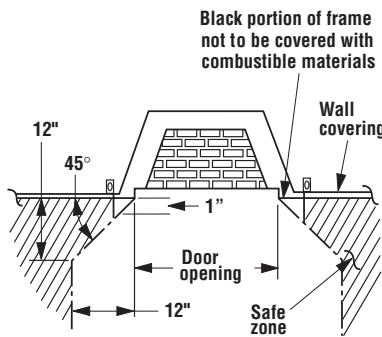
Mantels and Trim

These fireplaces may sit directly on a combustible surface. A 1" air space is required between combustible framing and the chimney. A 1" air space is required between combustible framing and the fireplace outer wrapper. Combustible mantels and trim may be installed 12" above the fireplace opening as per NFPA 211, Section 7-2.3.3. and Figure below. If a mantel is of a noncombustible material, it is exempt from these requirements as long as it does not interfere with the installation or operation of glass doors.

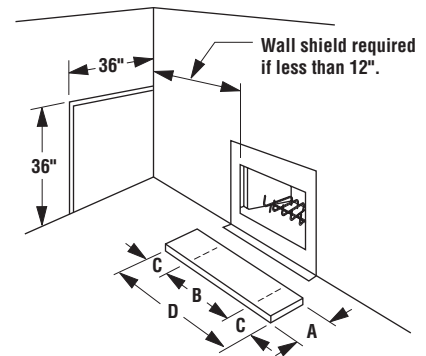


*2" clearance to combustibles required in Canada.

Mantel Limitation



Vertical Surround Limitations



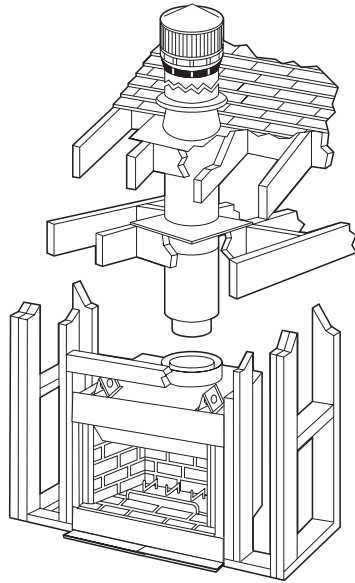
Hearth Extensions & Wall Shields

Hearth Extensions Dimensions

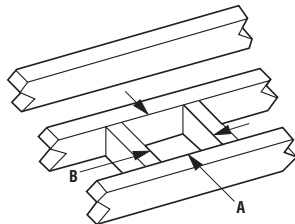
A	16"
B	41"
C	8"
D	57"

BC-42, BR-42

Framing Specifications



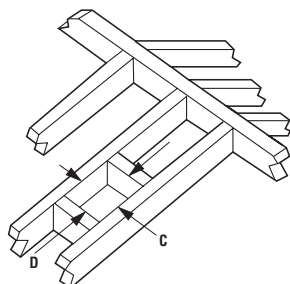
Typical Installation



Ceiling Framing

Framing Dimensions For Ceiling

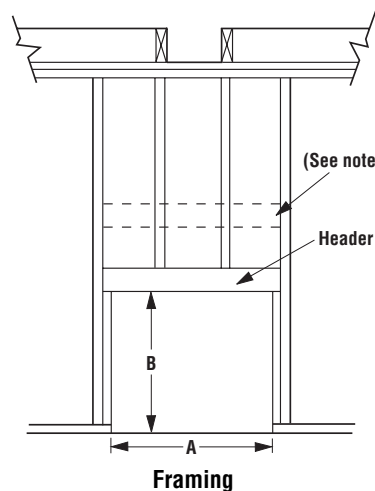
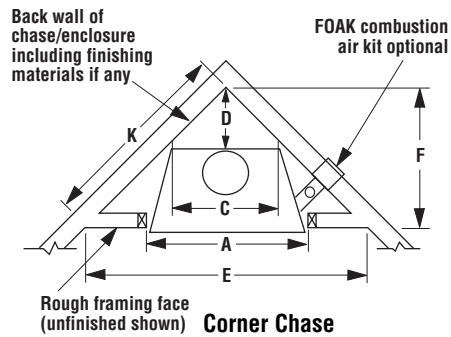
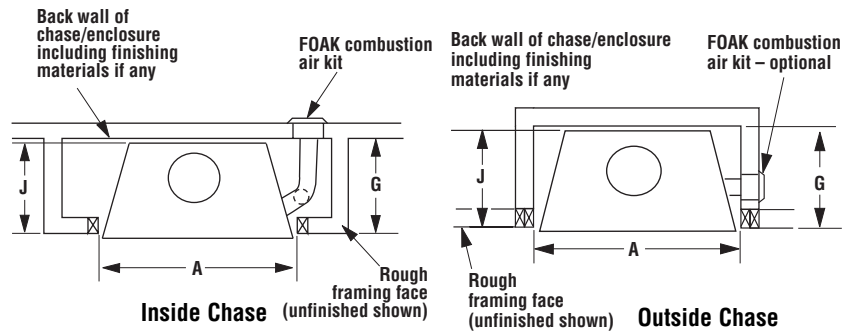
Flue Type	A	B
FTF8 Vertical	14 1/2"	14 1/2"
FTF8 Offset 30°	14 1/2"	25"



Roof Framing

Roof Framing Dimensions

Pitch	C	D
0/12	14-1/2"	14-1/2"
6/12	14-1/2"	17"
12/12	14-1/2"	21-1/2"



Note: When framing with 6" studs header must be 17" higher (36 only). Use FTF8 OR15 offset/return elbow to recess the chimney back 2-1/2". Flat frame down to a false header. Maintain required clearance to chimney at all times.

Framing Dimensions

	A	B	C	D	E	F	G	J	K
42	46-1/4"	43-1/2"	33"	17-1/2"	76-1/4"	38-1/8"	21-5/8"	20-5/8"	53-7/8"

Note: All dimensions calculated for 1/2" dry wall at the appliance face. If sheathing the chase or finishing with other thickness materials, calculations will need to be made.