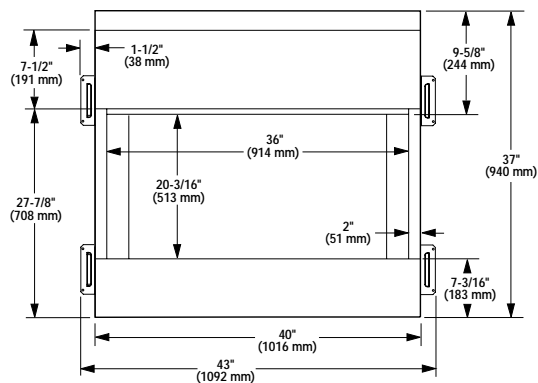
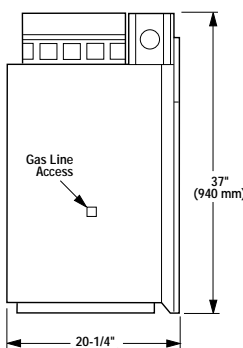


# BR-36 / BC-36

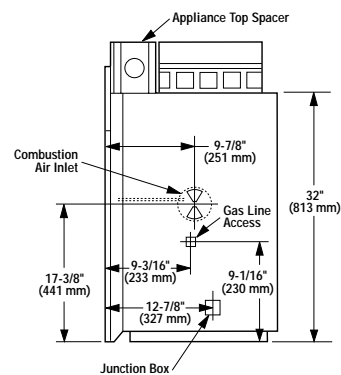
## Appliance Specifications



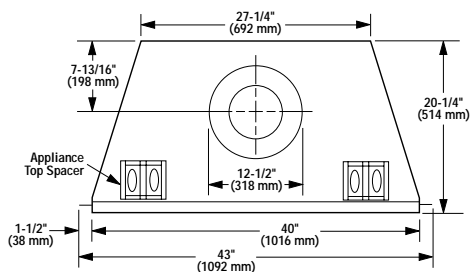
Front (BC Model Shown)



Left Side



Right Side



Top View

### Shipping Weight

BR/BC-36

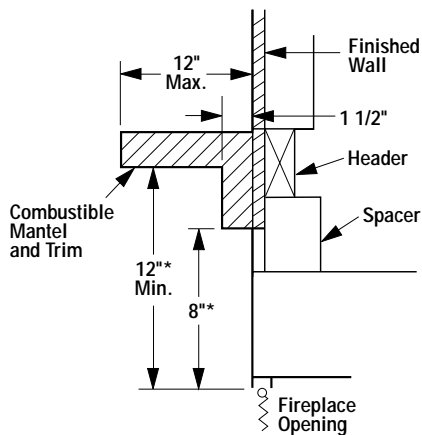
175 lbs.

*Note: All specifications, ratings and dimensions are subject to change without notice.*

## Fireplace Finishes

### Mantels And Trim

Combustible mantels and trim may be installed 12" (305 mm) above the fireplace opening as per NFPA 211; Section 7-2.3.3. and the Mantel limitation diagram. If a mantel is of a noncombustible material, it is exempt from these requirements as long as it does not interfere with the installation or operation of glass doors.

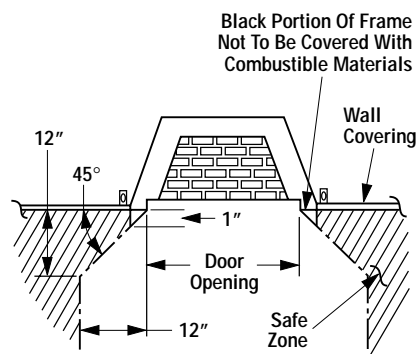


Typical Installation

\*Both Of These Dimensions Must Be At Least 18" When An Unvented Gas Log Set Rated At 26,000 BTU Or Higher Is Used. (Maximum 40,000 BTU)

### Vertical Surround Limitations

Combustible materials may project beyond the sides of the fireplace opening as long as they are kept within the shaded areas illustrated in the diagram below.

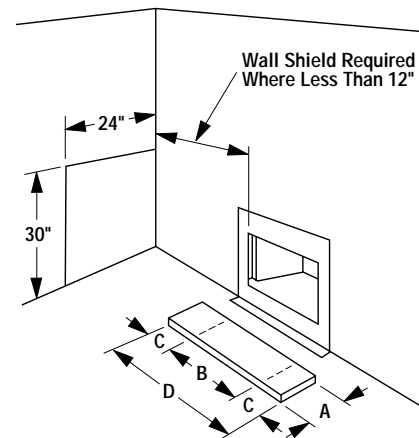


### Hearth Extension Dimensions

A	16" (406 mm)
B	35" (889 mm)
C	8" (203 mm)
D	51" (1295 mm)

### Hearth Extensions & Wall Shields

A hearth extension must be installed with all fireplaces. Its purpose is twofold. It protects a combustible floor in front of the fireplace from both radiant heat and sparks and it distinguishes the prescribed hearth extension area from other non-protected surfaces.



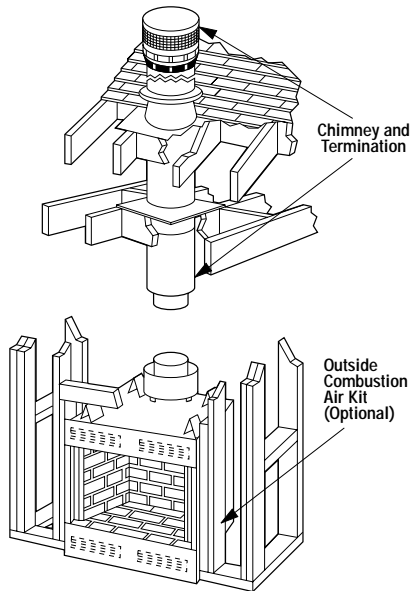
**SUPERIOR**

NOTE: DIAGRAMS & ILLUSTRATIONS NOT TO SCALE.

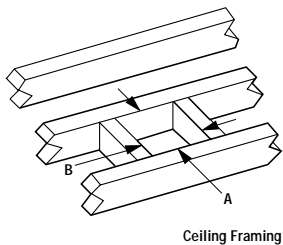
# BR-36 / BC-36

## Framing Specifications

### Typical Installation



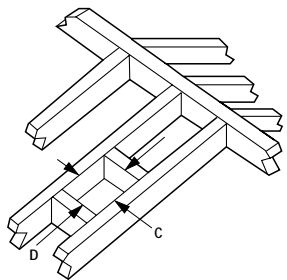
### Radiant Model Shown



Ceiling Framing

### Framing Dimensions for Ceiling

Flue Type	A	B
FTF8 Vertical	16 1/2"	16 1/2"
FTF8 Offset 30°	16 1/2"	25"



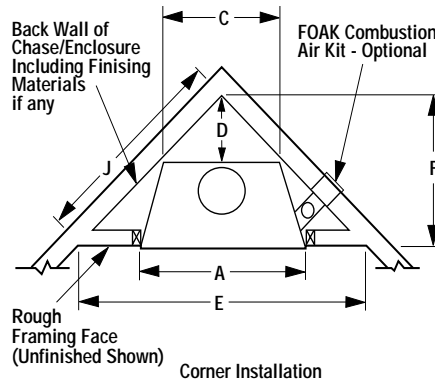
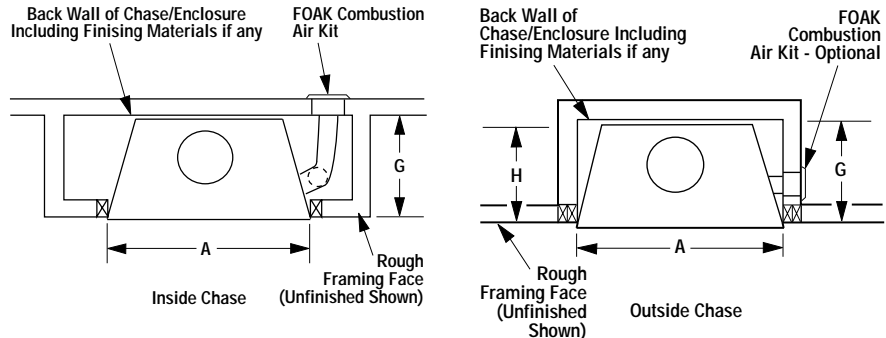
Roof Framing

### Framing Dimensions for Roof

Pitch	C	D*
0/12	16 1/2"	16 1/2"
6/12	16 1/2"	19"
12/12	16 1/2"	23 1/2"

\* Perpendicular to roof ridge

*Note: All framing dimensions calculated for 1/2" dry wall at the appliance face. If sheathing the chase or finishing with other thickness materials, calculations will need to be made.*

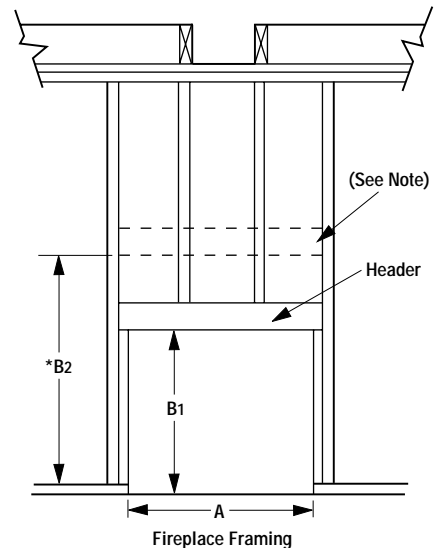


Corner Installation

### Framing Dimensions

A	42 1/4"	1073 mm
B1	37 1/2"	953 mm
B2	54 1/2"	1384 mm
C	28 3/4"	730 mm
D	15 3/8"	391 mm
E	70"	1778 mm
F	35"	889 mm
G	20 5/8"	524 mm
H	19 5/8"	498 mm
J	49 1/2"	1257 mm
K	8"	203 mm

*Note: All framing dimensions calculated for 1/2" dry wall at the fireplace face. If sheathing the chase or finishing with other thickness materials, calculations will need to be made.*



\*Note: When Framing With 6" Studs Header Must Be 17" (432mm) Higher. Use Security Chimney's OR15 Offset/Return Elbow To Recess The Chimney Back 2 1/2" (64mm). Flat Frame Down To A False Header At (B1). Maintain Required Clearance To Chimney At All Times.

**SUPERIOR**

NOTE: DIAGRAMS & ILLUSTRATIONS NOT TO SCALE.