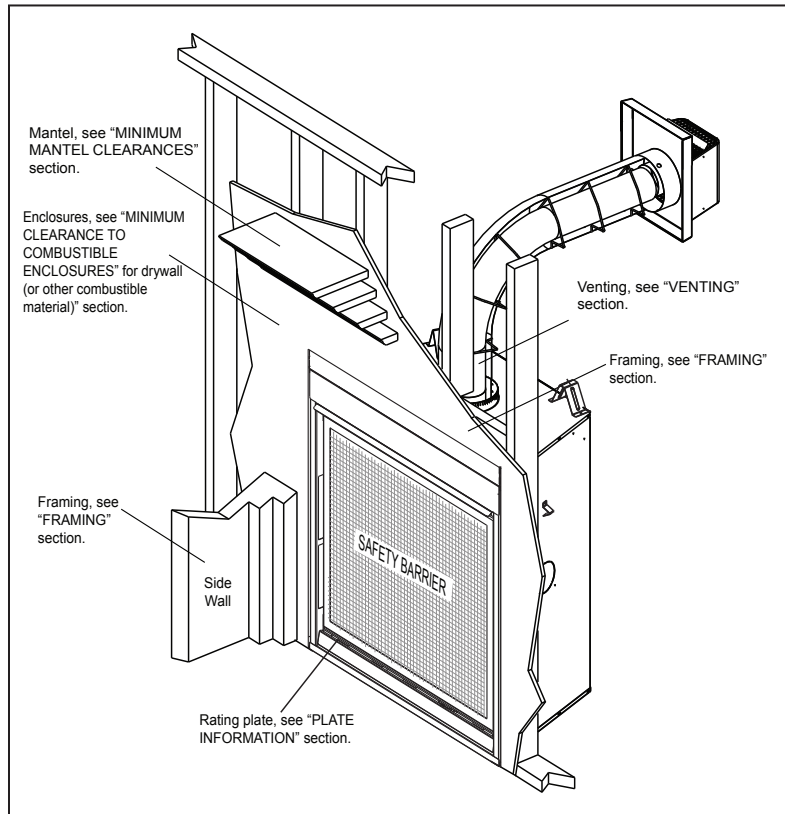


# HIGH DEFINITION™ 35 DIRECT VENT GAS FIREPLACE

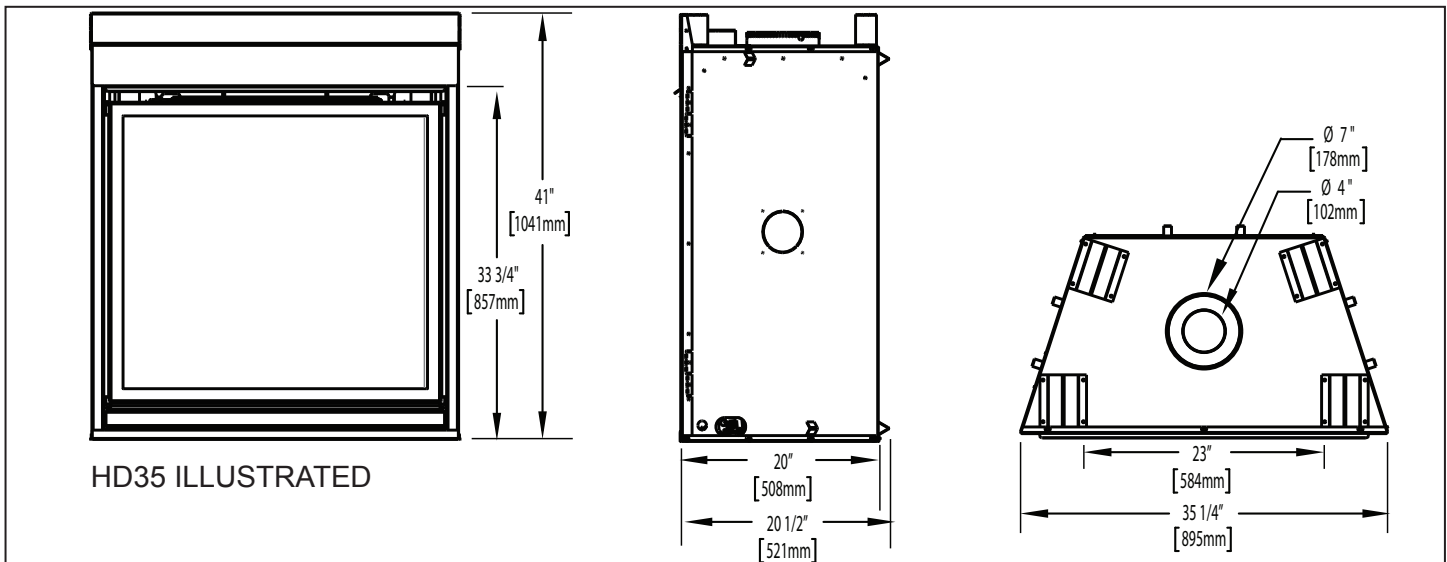
## Specifications

Model	BTU	Width		Height		Depth		Glass
		Actual	Framing	Actual	Framing	Actual	Framing	
HD35	25,000	35 1/4	35 3/4	41	41 1/4	20 1/2	20 3/4	28 1/8 X 31 1/4

## Overview



## Dimensions



# HIGH DEFINITION™ 35 DIRECT VENT GAS FIREPLACE

## Framing & Clearances

### Minimum Fireplace Clearances

COMBUSTIBLE FRAMING:	
Sides, back, bottom and top of the appliance	0" to stand offs
COMBUSTIBLE FINISHING:	
Sides, Bottom and Top	1 1/4" (32 mm) to sides, 0" to bottom, 7 3/8" (187 mm) to top of the appliance
Enclosure Top	70" (1778mm) from the bottom of the appliance
Recessed Depth	20" (508mm)
Sides and bottom of the vent pipe	1" (25mm)
Top of vent pipe	2" (51mm)
Ceiling	62" (1575mm) from the bottom of the appliance

\* **HORIZONTAL VENT SECTIONS:** A minimum clearance of 1" (25mm) at the bottom and sides and 2" (51mm) at the top of the vent pipe in all horizontal runs to combustibles is required except for clearances in appliance enclosures. Horizontal vent sections within enclosures require a minimum clearance of 9" (229mm) at the top of the vent pipe. See "MINIMUM CLEARANCE TO COMBUSTIBLE ENCLOSURES" section. Use firestop spacer W010-1777 (supplied) where vent pipe penetrates combustibile walls.

\* **VERTICAL VENT SECTIONS:** A minimum clearance of 1" (25mm) all around the vent pipe on all vertical runs to combustibles is required except for clearances in appliance enclosures. Vertical vent sections within enclosures require a minimum clearance of 4" (102mm) to the sides of the vent pipe. See "MINIMUM CLEARANCE TO COMBUSTIBLE ENCLOSURES" section. Use firestop spacer W500-0367 (not supplied) where vent pipe penetrates combustibile ceilings or floors.

### Appliance Location

MINIMUM ENCLOSURE CLEARANCES			
Ref	HD35	HD40	HD46
A	35 3/4" (908mm)	40 3/4" (1035mm)	46 3/4" (1187mm)
B	61 1/2" (1562mm)	66 1/2" (1689mm)	72 1/2" (1842mm)
C	43 1/2" (1105mm)	47" (1194mm)	51 1/4" (1302mm)
D	14 13/16" (376mm)	16 9/16" (421mm)	18 11/16" (475mm)
E	30 3/4" (781mm)	33 1/4" (845mm)	36 1/4" (921mm)
F	20 3/4" (527 mm)	20 3/4" (527 mm)	20 3/4" (527 mm)

### Wall Penetration

WOOD HEADER  
NON-COMBUSTIBLE MATERIAL FRONT HOOD  
NON-COMBUSTIBLE  
COMBUSTIBLE  
BRICK  
0" IF NON-COMBUSTIBLE FINISHING IS USED SUCH AS BRICK AND STONE.

Product information provided is not complete and is subject to change without notice. Please consult the installation manual for the most up to date installation information.

### Framing Dimensions

**WARNING**

DO NOT BUILD INTO THIS AREA - IT MUST BE LEFT CLEAR TO PROVIDE ADEQUATE CLEARANCE FOR THE VENT IN THIS 14" (356MM) WIDE AREA CENTERED ALONG THE FRONT OF THE APPLIANCE. NO COMBUSTIBLES ARE ALLOWED.

FRAMING DIMENSIONS			
Ref	HD35	HD40	HD46
A	35 3/4" (908mm)	40 3/4" (1035mm)	46 3/4" (1187mm)

\* Allow for finished floor and hearth thickness when setting these dimensions.  
\*\* When constructing the enclosure allow for finishing material thickness to maintain clearances.

### Minimum Vertical Vent Rise

16" (406mm) MIN  
40FT (12m) MAX  
3FT (1m) MIN  
38" (965mm)  
57 1/2" (1461mm) MIN PLUS RISE\*

\* See "VENTING" section.

### Combustible Mantel Clearances

MANTEL DIMENSIONS		
Ref	Height	Depth
A	38" (965mm)	2" (51mm)
B	13" (330mm)	2" (51mm)
C	15" (381mm)	4" (102mm)
D	17" (432mm)	6" (152mm)
E	19" (483mm)	8" (203mm)

MANTEL HEIGHT vs MANTEL DEPTH graph showing a linear relationship between height and depth.