

HARMAN®  
BUILT TO A STANDARD, NOT A PRICE



TL-SERIES  
WOOD STOVES



# BUILT TO A STANDARD NOT A PRICE



## TL-SERIES WOOD STOVES

The TL-Series stoves are a practical and efficient option to supplement home heating. Harman FireDome technology helps deliver even heat and long burns—for up to 17 hours of heat from each load of wood. Distinctive features provide unique styling options, and even a cooking grill.

Take advantage of distinctive, powerful and eco-friendly heating. Customize your TL with unique finishing options.

Cover: TL300 shown with optional stainless door trim and optional trail riders slate inlay  
Above: TL2.0 shown with optional stainless door trim and optional trail riders slate inlay  
Right: TL2.6 shown with optional stainless door trim and legs







TL2.6 shown with optional stainless steel door trim and pedestal base with optional trail riders slate inlay

## FEATURES & OPTIONS

### Features

- FireDome (TL300) and FireDome Plus (TL2.0 & TL2.6) technology
- Even heat and long burns
- Front and top loading for convenience and extended performance
- Large ash pan for less-frequent maintenance
- EPA certified



Top loading



Huge ash pan

### Options

- TL2.6 available with pedestal base or legs
- Modern brushed stainless trim (TL2.0 & TL2.6), leaf brushed stainless trim (TL300)
- Cooking grill
- Ash door inlays
- Blower (TL2.0: 150 CFM; TL2.6: 150 CFM; TL300: 105 CFM)
- Outside air kit



TL2.6 with pedestal base



TL2.6 with legs



Optional cooking grill



Brushed stainless steel trim



Standard door trim

### Ash Door Inlay Options



Deer slate



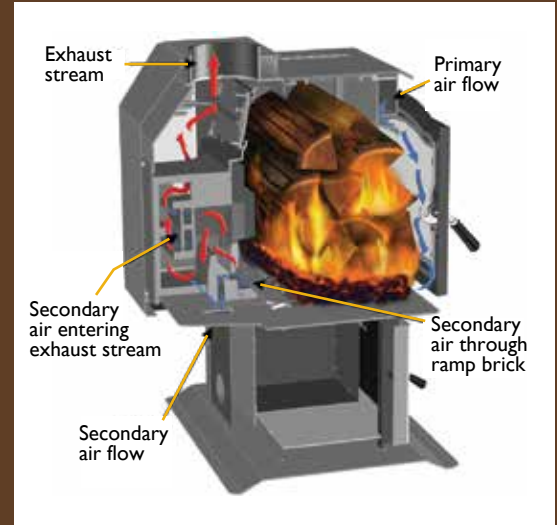
Trail riders slate



Deer brushed stainless

## FireDome Plus Combustion System

Harman® FireDome technology maximizes efficiency and extends burn times—for up to 17 hours of even heat with each load of wood. Two combustion cycles completely burn the wood, smoke and exhaust. Visit [HarmanStoves.com](http://HarmanStoves.com) to learn more about the FireDome combustion system.



TL2.0 shown with optional modern brushed stainless trim and optional deer slate inlay

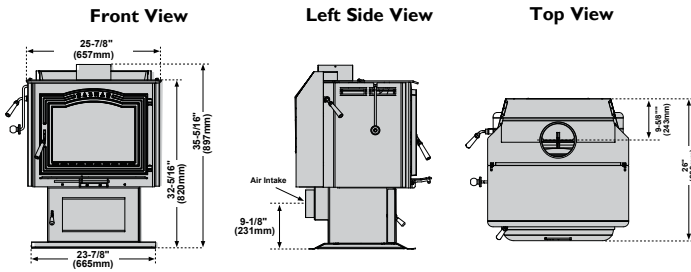
# PERFORMANCE

# SPECIFICATIONS

Model	EPA 1st Hour Peak BTUs	Heating Capacity <sup>1</sup>	Efficiency <sup>2</sup>	Emissions	Flue Size	Optional Blower Size	Ship Weight	Width	Height	Depth	Log Length
TL2.0	55,300	1,200 - 3,100 sq. ft.	75.8%	2.6 g/hr	6" top	150 CFM	452 lbs	25-7/8"	35-5/16"	26"	19" max.
TL2.6	69,300	,400 - 3,200 sq. ft.	85.7%	3.7 g/hr	6" top or rear	150 CFM	525 lbs	25-7/8"	36-11/16" (w/ legs: 34-9/16")	28-5/8"	19" max.
TL300	72,100	1,600 - 4,300 sq. ft.	83.3%	1.1 g/hr	6" top	105 CFM	525 lbs.	27-1/16"	37-7/16"	29-3/8"	20" max.

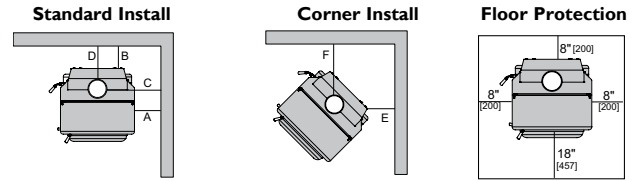
## Dimensions

### TL2.0



## Clearances to Combustibles

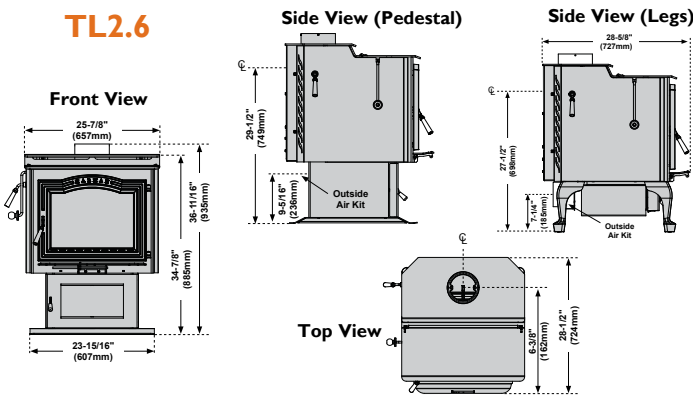
### TL2.0



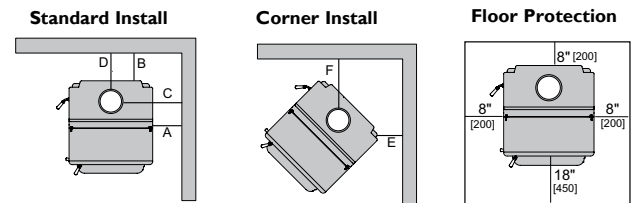
A - Unit to Sidewall	14"
B - Unit to Back wall	13"
C - Chimney Connector to Sidewall	24"
D - Chimney Connector to Back wall	18"
E - Unit to Adjacent Wall	16"
F - Chimney Connector to Adjacent Wall	22.5"

MINIMAL HEARTH PROTECTION	
Standard	32-1/2"W x 46-1/16"D
Corner	54"W x 54"D <sup>3</sup>

### TL2.6



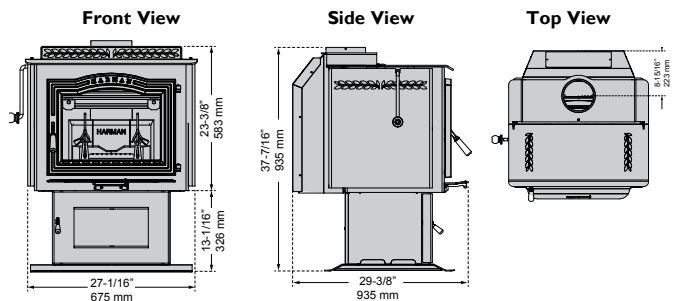
### TL2.6



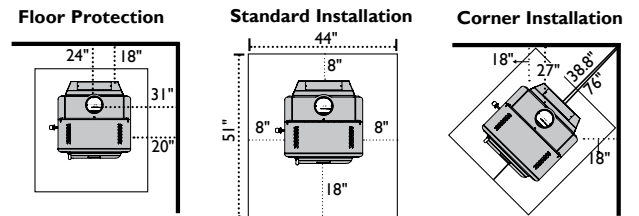
A - Unit to Sidewall	17"
B - Unit to Back wall	17"
C - Chimney Connector to Sidewall	27"
D - Chimney Connector to Back wall	20"
E - Unit to Adjacent Wall	14.5"
F - Chimney Connector to Adjacent Wall	23"

MINIMAL HEARTH PROTECTION	
Standard	32-1/2"W x 49-13/16"D
Corner	56"W x 56"D <sup>3</sup>

### TL300



### TL300



Floor Protection Requirements	Inches	Millimeters
J Sides - USA /CANADA <sup>4</sup>	8	203
K Front - USA /CANADA <sup>4</sup>	16	457
L Rear - USA	8	203
L Rear - Canada	Wall	Wall

MINIMAL HEARTH PROTECTION	
Standard	32-1/2"W x 46-1/16"D
Corner	59"W x 59"D <sup>3</sup>

YOUR HARMAN DEALER IS:



WWW.HARMANSTOVES.COM

- facebook.com/HarmanStoves
- twitter.com/HarmanStoves
- youtube.com/HarmanStoves

HAR-1209U-1015

### LIMITED LIFETIME WARRANTY<sup>5</sup>

The strongest in the industry, Harman provides a limited lifetime warranty on most important aspects: firebox and heat exchanger.

<sup>1</sup>See your local authorized Harman dealer for help in determining the product that best suits your heating needs based on climate and home efficiency. <sup>2</sup>Weighted Average LHV (Low Heating Value) Efficiency. <sup>3</sup>Minimum size corner hearthpad will not touch the wall. Wall to stove clearances are priority. <sup>4</sup>Floor protection dimensions for the front and sides are measured from the appliance door opening in USA. In Canada, the side dimension is measured from the widest part of the appliance. <sup>5</sup>For full warranty details, visit [www.harmanstoves.com](http://www.harmanstoves.com).

Actual product appearance, including flame, may differ from image. Tested to: UL 1482-2011, UL 737-2011 and ULCS 5627-00 (TL2.0 and 2.6), UL 1482-2010, UL 737-2007 and ULCS 5627-00 (TL300). Product specifications and pricing subject to change without notice. The images and descriptions in this brochure are provided to assist you in product selection only. BTU values based on EPA testing standards. Typically, burning cord wood will result in higher BTU rating depending on moisture content. Refer to installation manual for complete clearance requirements and specifications.

Fireplace, stove and insert surfaces get extremely HOT and can cause severe burns if touched. Keep a safe distance away. To learn more visit [www.harmanstoves.com/fireplacesafety](http://www.harmanstoves.com/fireplacesafety)