



STANFORD 80

STANFORD 140

HARMONY I

HARMONY III

WOOD STOVES

INSTALLATION, OPERATING AND MAINTENANCE INSTRUCTIONS

Manufactured by:
Thermic Distribution Europe SA
5 Rue du Lion
B-5660 Couvin, Belgium

SAVE THESE INSTRUCTIONS FOR FUTURE USE AND REFERENCE

Please read this entire manual before you install and use your new room heater.
Failure to follow instructions may result in property damage or bodily injury.

SAFETY NOTICE

The authority having jurisdiction (such as municipal building department, fire department, fire prevention bureau, etc.) should be consulted before installation to determine the need to obtain a permit.

If your Efel Stove is not properly installed, a house fire may result. For your safety, follow the installation directions. Contact local building or fire officials about restrictions and installation requirements in your area.

**ENSURE THAT THIS MANUAL REMAINS WITH THE APPLIANCE AND IS PASSED ON TO THE USER AFTER INSTALLATION.
DO NOT STORE OR USE GASOLINE OR OTHER FLAMMABLE VAPOURS AND LIQUIDS IN THE VICINITY OF THIS OR ANY OTHER APPLIANCE.**

WARNING:

Improper installation, adjustment, alteration, service or maintenance can cause injury or property damage. Refer to this manual for assistance or consult a qualified (experienced) installer.

SPECIAL NOTE:

Crazing of Porcelain Enamel:

Porcelain enamel, when heated to high temperature, is subject to crazing. Crazing is a normal occurrence when enamel is exposed to high temperatures. Your enamel finish will not be harmed nor will the function of the stove be impaired.

SPECIAL NOTE:

A barometric damper is recommended for installations of stoves in areas that may have high winds, which can affect the draft. The installation must be only in units with a newly constructed chimney, free of creosote deposits. The barometric damper is an automatic device designed to regulate the draft in a heating appliance, which in turn, stabilizes the chimney temperatures, lessening the potential of over-firing. Do not place the barometric damper greater than 24 inches (610 mm) above the unit. Excessive draft will lead to poor control of the burning rate and possible over-firing of the stove and damage to the cast iron firebox. Most barometric dampers are calibrated in inches of water column and can be set to draft requirements of -.03 to -.08 inches (-7.5 to -20 Pa). It is recommended that the barometric dampers to be set between -.05 and -.06 inches.

**THE RECOMMENDED DRAFT REQUIREMENTS FOR EFEL STOVES IS NO LESS THAN -.04 AND NO GREATER THAN -.08.
OPERATION OF YOUR STOVE WITH A DRAFT GREATER THAN -.08 CAN POSSIBLY CAUSE DAMAGE TO THE STOVE AND VOID THE WARRANTY.**

PRODUCT SPECIFICATIONS

Stanford 80 & Harmony I

Flue collar size: 6"
Flue position: top
Max. burn rate: 87,000 BTU/hr
EPA Output range:
11,500–55,000 BTU/hr
Particulate emissions: 4.42 g/hr
Heating capacity: 1300-1800 sq ft
Max. burn time: up to 8 hours
Max. log length: 18"
Loading: front and side
Weight: 303 lbs.

Stanford 140 & Harmony III

Flue collar size: 6"
Flue position: top
Max burn rate: 96,600 BTU/hr
EPA Output range:
12,000–60,900 BTU/hr
Particulate emissions: 2.72 g/hr
Heating capacity: 1800-2500 sq ft
Max. burn time: up to 10 hours
Max log length: 22"
Loading: front and side
Weight: 386 lbs.

Testing / Listing

Your Efel wood stove has been tested to UL Standard 1482 by OMNI-Test Laboratories, Inc., Beaverton, Oregon.

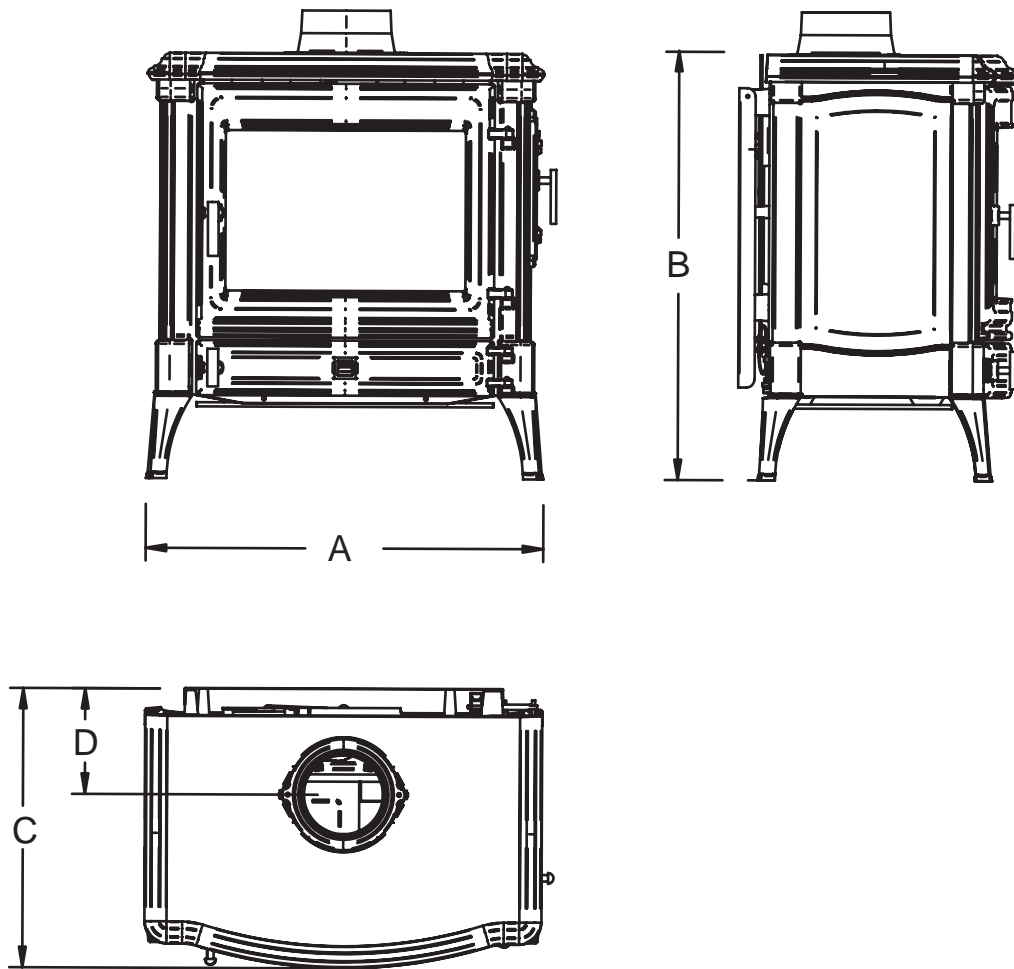
EPA Certification

The Efel wood stoves have been tested to rigorous emissions standards, and have been certified by the Environmental Protection Agency.

WARNING:

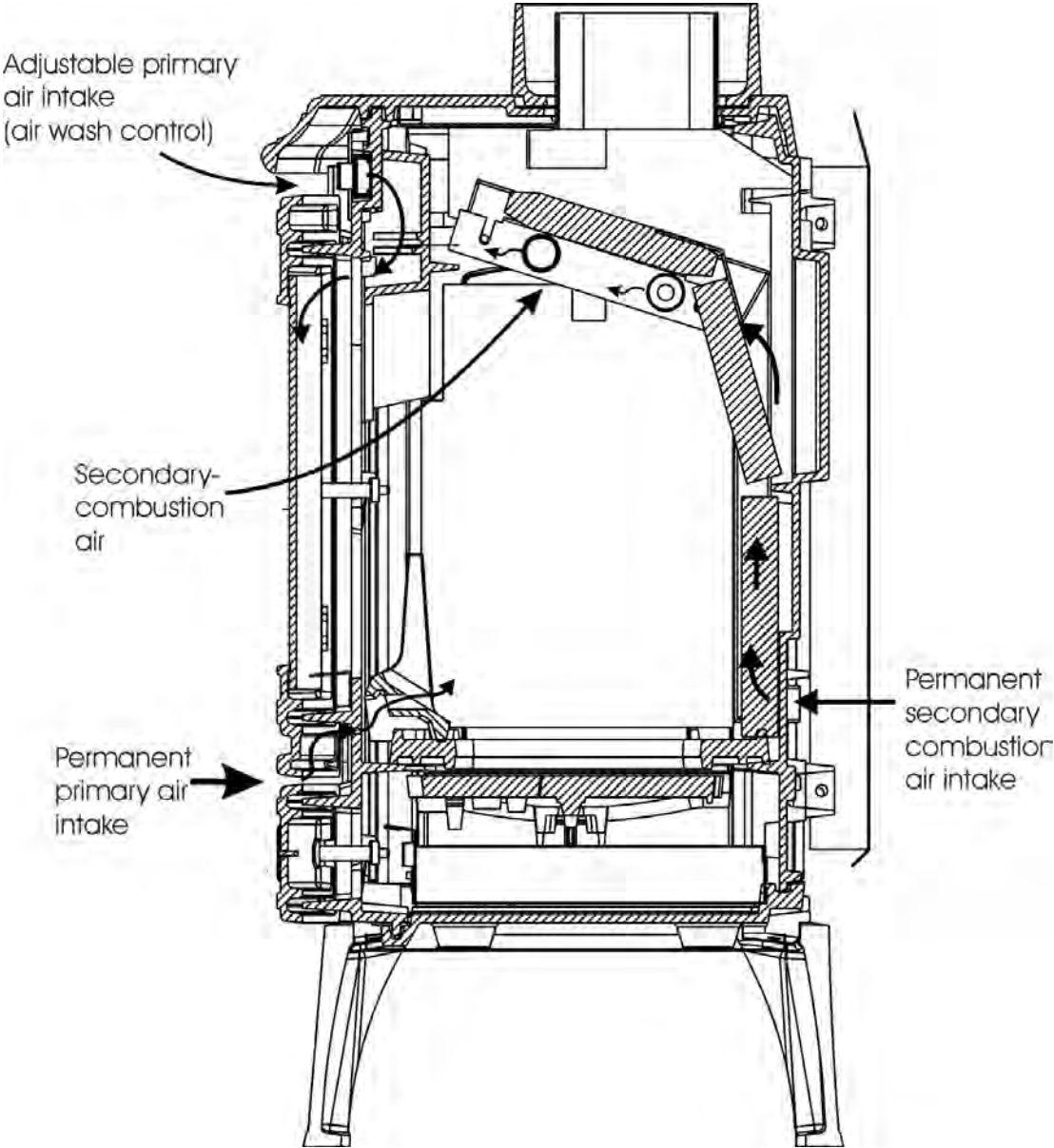
- DO NOT CONNECT THIS UNIT TO A CHIMNEY FLUE SERVING ANOTHER APPLIANCE.
- UNIT MUST BE INSTALLED ACCORDING TO ALL LOCAL CODES. A BUILDING PERMIT MUST BE OBTAINED BEFORE INSTALLING.
- SAVE THESE INSTRUCTIONS FOR FUTURE REFERENCE.
- DO NOT INSTALL IN A MOBILE HOME.
- READ ALL INSTRUCTIONS CAREFULLY BEFORE STARTING THE INSTALLATION.
- UNIT MUST BE PROPERLY INSTALLED OR LISTING WILL BE VOID.
- INSTALLATIONS OTHER THAN THOSE SPECIFICALLY COVERED HEREIN HAVE NOT BEEN CONFIRMED BY TEST AND ARE NOT COVERED BY THE LISTING.

Dimensions

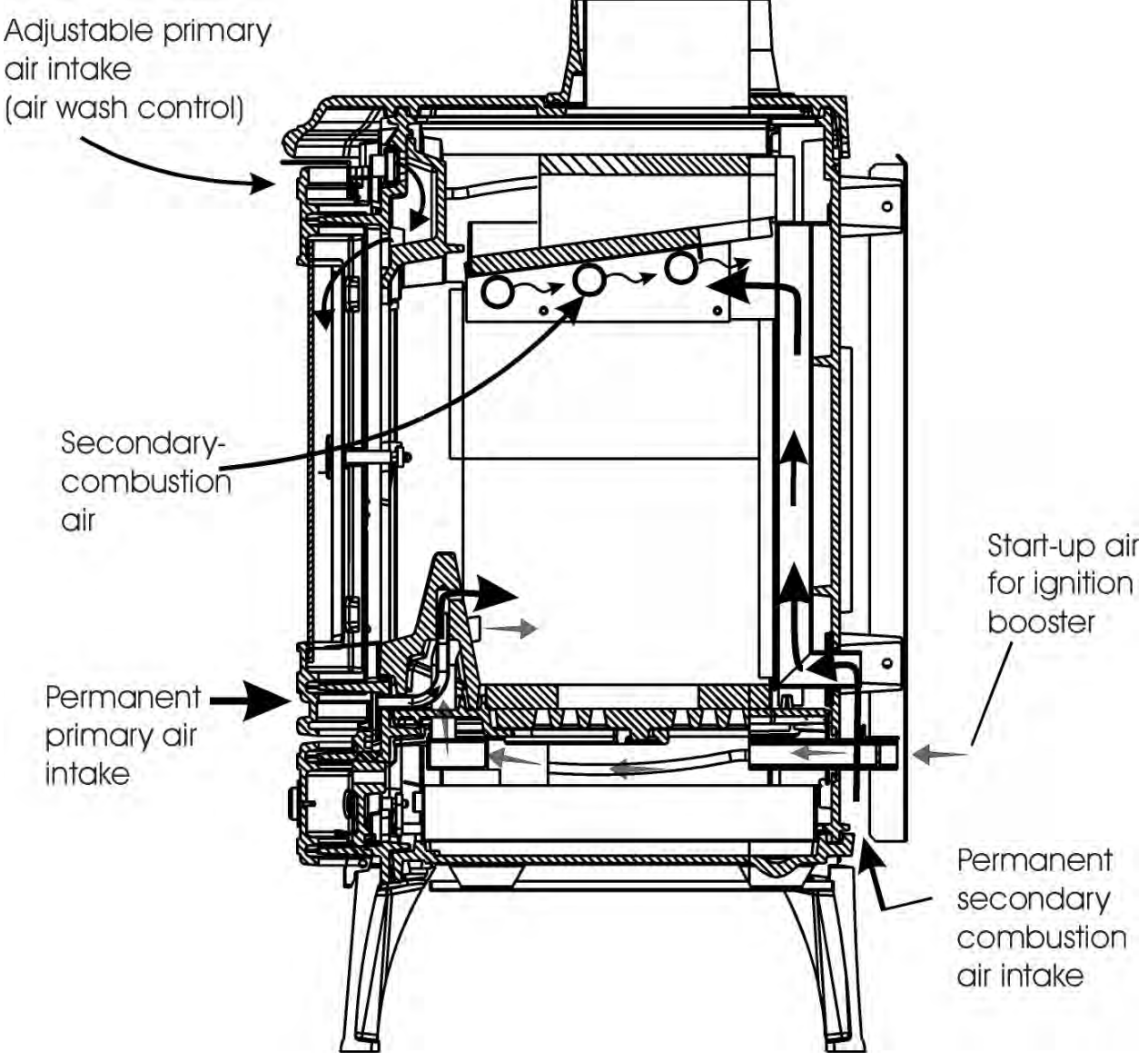


Model	A	B	C	D
Stanford 80	24"	28½"	16½"	6½"
Stanford 140	29"	31"	20½"	7½"
Harmony I	23¾"	26½"	15½"	6½"
Harmony III	29"	29½"	18½"	7½"

Combustion System – Stanford 80 and Harmony I



Combustion System – Stanford 140 and Harmony III



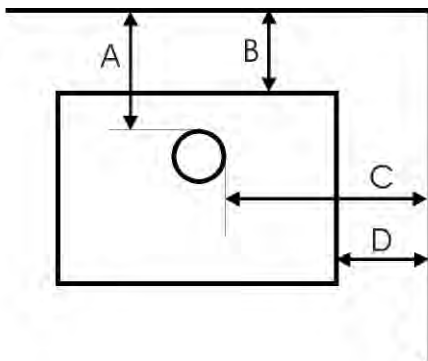
INSTALLATION

Clearances to Combustibles - Stanford 80 & Harmony I

The following clearances may only be reduced by means approved by the regulatory authority.

Refer to chart for single or double wall pipe

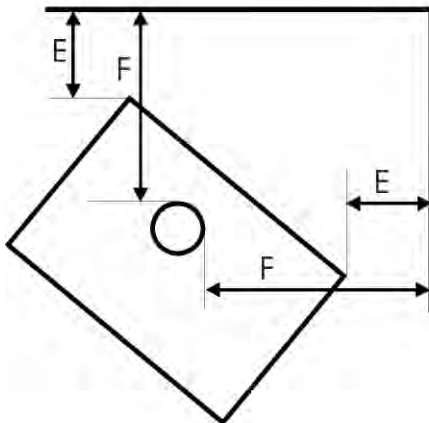
Back and Side Wall Clearances



Connector pipe	A	B	C	D
Single wall	27.5"	24"	27"	18"
Double wall	21.5"	18"	27"	18"

Minimum Ceiling Height: 7'

Corner Clearances



Connector pipe	E	F
Single wall	19"	27"
Double wall	11"	19"

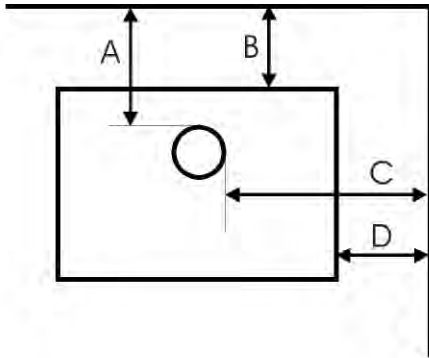
Minimum Ceiling Height: 5'

Clearances to Combustibles - Stanford 140 & Harmony III

The following clearances may only be reduced by means approved by the regulatory authority.

Refer to chart for single or double wall pipe

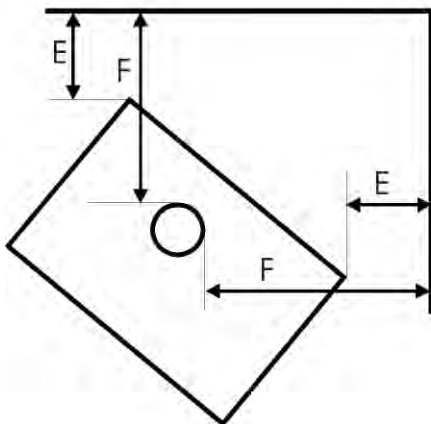
Back and Side Wall Clearances



Connector pipe	A	B	C	D
Single wall	18"	13"	32"	20"
Double wall	14.5"	10"	28.5"	17"

Minimum Ceiling Height: 7'

Corner Clearances



Connector pipe	E	F
Single wall	16"	27"
Double wall	7"	18"

Minimum Ceiling Height: 7'

Standard Installation

1. Position the unit no closer than the minimum clearances to combustible materials. Check that no overhead cross members in the ceiling or roof will be cut. Reposition unit if necessary, being careful not to move closer than the minimum clearances.
2. A non-combustible floor protector (hearth extension) must be installed under the unit. The floor protector must extend a minimum of 16 inches (450 mm) beyond the front and side doors and 8 inches (200 mm) beyond the left side. The floor protector must be equivalent to 1/2 inch (9.5mm) with a k factor of at least 0.84 Btu/inch°F

Determining Thickness Requirements of Alternate Floor Protection Materials

The following formula gives the means of determining thickness of alternate materials:

$$\frac{\text{k of the alternate material}}{\text{k of the specified material}} \times \text{thickness of specified material} = \text{thickness of alternate material}$$

For example common brick has a k value of 5.0. The following would determine the thickness necessary:

$$\frac{5.0}{0.84} \times 1/2 \text{ inch} = 3.0 \text{ inches of common brick}$$

3. Mark the position of the required floor protector on the floor. Remove the unit and install the floor protector.
4. Position the unit on the floor protector at the proper clearances.
5. Install a 6-inch diameter, minimum 24 MSG black or 26 MSG blued steel connector pipe on the flue collar of the unit.
 - The stove is NOT to be connected to any air distribution duct or system.
 - A chimney connector shall not pass through an attic or roof space, closet or similar concealed space, or a floor, or ceiling. Where passage through a wall or partition of combustible construction is desired, the installation shall conform to CAN/CSA-B365, Installation Code for Solid-Fuel-Burning Appliances and Equipment. (Canadian installations only)
6. Use a chimney connector adapter to connect the chimney connector up to the chimney. The small ends of the chimney connector should all point down for a drip free installation. Position all seams toward the back for aesthetics. The chimney connector must be 6-inch diameter.

7. Check that all clearances are still within the allowable tolerances.
8. Secure adjoining sections of chimney connector to each other using three equally spaced sheet metal screws. Secure the connector pipe to flue collar using three equally spaced sheet metal screws. **DO NOT** secure chimney connector to chimney with screws.

DO NOT CONNECT THIS UNIT TO A CHIMNEY FLUE SERVING ANOTHER APPLIANCE.

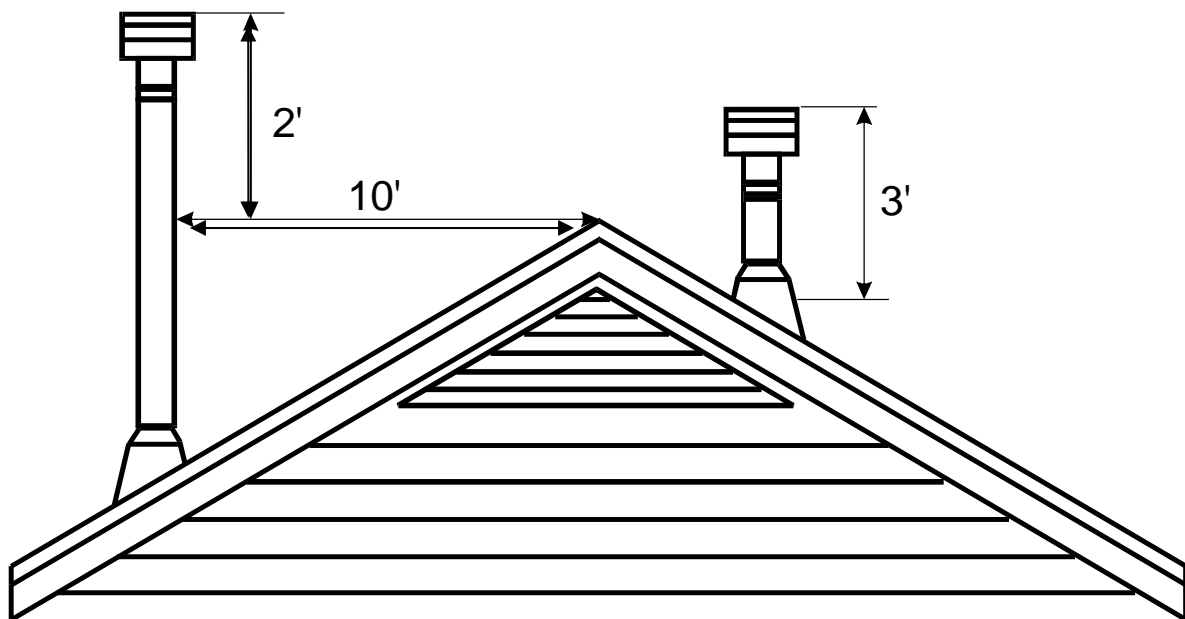
9. The unit must be connected to either:
 - a code-approved masonry chimney with a flue liner, or
 - a 6 inch diameter factory built chimney complying with the requirements for Type HT chimneys in the standard UL 103.

Minimum Chimney Height

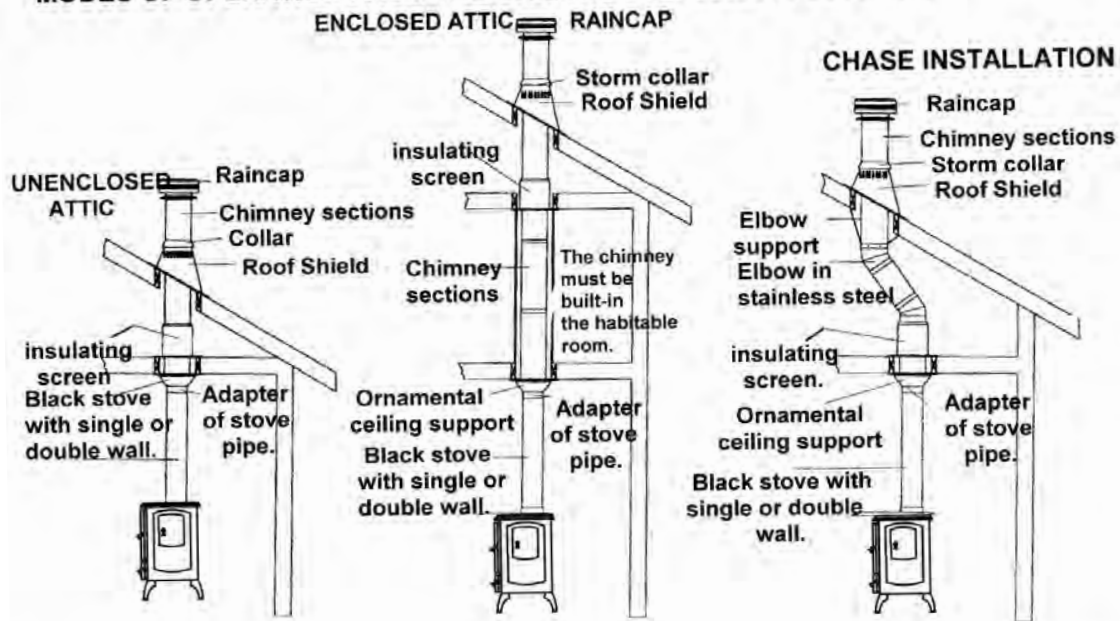
American National Standards Institute ANSI/NFPA 211-92, draft 1-7 states that a chimney or vent shall be so designed and constructed to develop a flow sufficient to completely remove all flue and vent gases to the outside atmosphere. The venting system shall satisfy the draft requirements of the connected appliance in accordance with the manufactures instructions.

The “3-foot, 2-foot, 10-foot rule” on chimney height states that a chimney must be:

1. at least 3 feet higher than the highest part of the roof opening through which it passes,
2. *and* at least 2 feet higher than any part of the roof within 10 feet, measured horizontally.



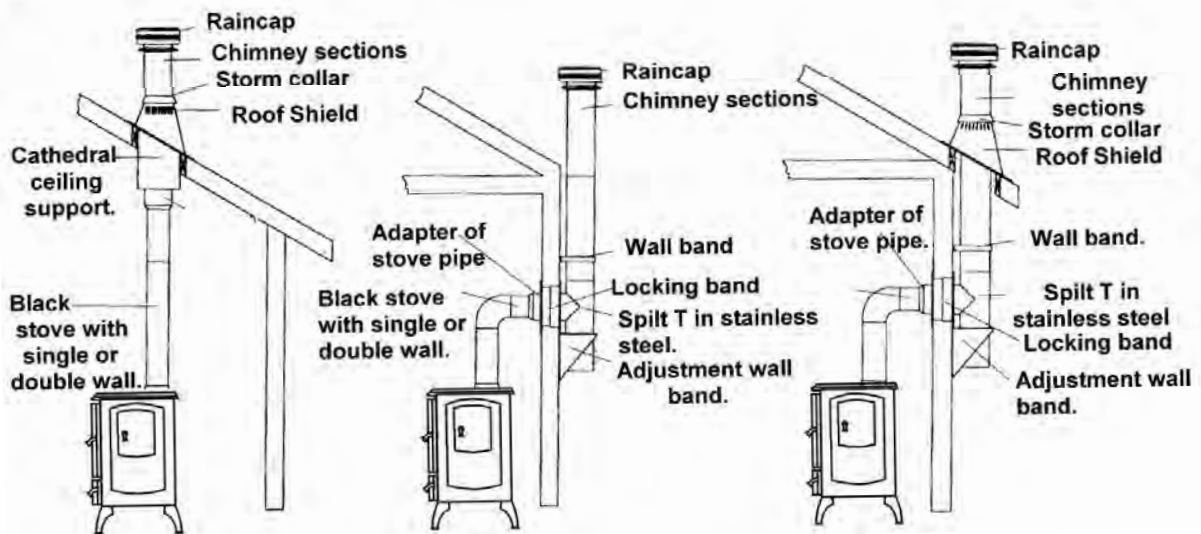
MODES OF OPERATION FROM THE ORNAMENTAL CEILING SUPPORT



Cathedral ceiling support with visible beam.

Wall band installation.

Wall band installation through the cornice.



Freestanding Installations

If the chimney connector must pass through a combustible wall to reach the chimney, follow the recommendations in the Wall Pass-Through section that follows.

The opening through the chimney wall to the flue (the “breach”) must be lined with either a ceramic or metal cylinder, called a “thimble”, which is securely cemented in place. Most chimney breeches incorporate thimbles, but the fit must be snug and the joint between the thimble and the wall must be cemented firmly (Fig. A)

A special piece called the “thimble sleeve”, slightly smaller in diameter than standard connectors and most thimbles, will facilitate the removal of the chimney connector system for inspection and cleaning. Thimble sleeves are available from your local dealer.

To install a thimble sleeve, slide it into the breach until it is flush with the inner flue wall. Do not extend it into the actual flue passage, as it could interfere with the draft.

The thimble sleeve should protrude 1-2” (25-50 mm) into the room. Use fire cement and thin gasketing to seal the sleeve in place in the thimble. Secure the chimney connector to the outer end of the sleeve with sheet metal screws.

Above a Fireplace

In this installation, the chimney connector rises from the stove, turns 90°, and then goes into the fireplace chimney (Fig. B) The liner of the fireplace chimney should extend at least to the point at which the chimney connector enters the chimney. Follow all the guidelines for installing a chimney connector into a freestanding masonry chimney, and pay special attention to these additional points:

- Double check the connector clearance from the ceiling: 18” minimum.
- The fireplace damper must be closed and sealed to prevent room air from being drawn up the flue, thereby reducing the draft. However, it must be possible to re-open the damper to inspect the chimney.

Wall Pass-Throughs

Whenever possible, design your installation so that the wall connector does not pass through a combustible wall. If you are considering a wall pass-through in your installation, check with your building inspector before you begin. Also check with the chimney connector manufacturer for any specific requirements.

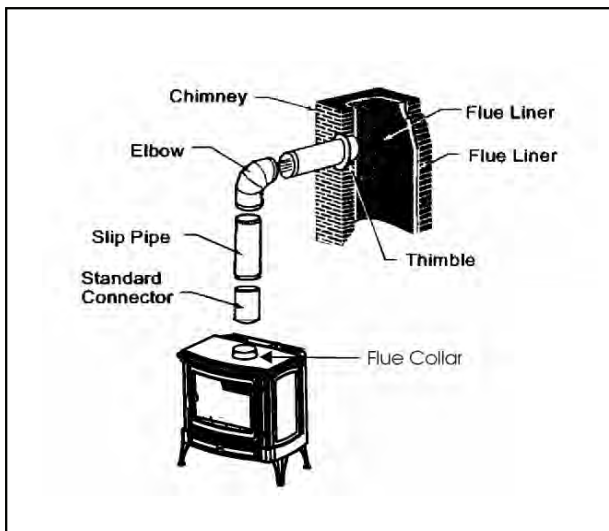
Accessories are available for use as wall pass-throughs. If using one of these, make sure it has been tested and listed for use as a wall pass-through.

The National Fire Protection Association (NFPA) has established guidelines for passing chimney connectors through combustible walls.

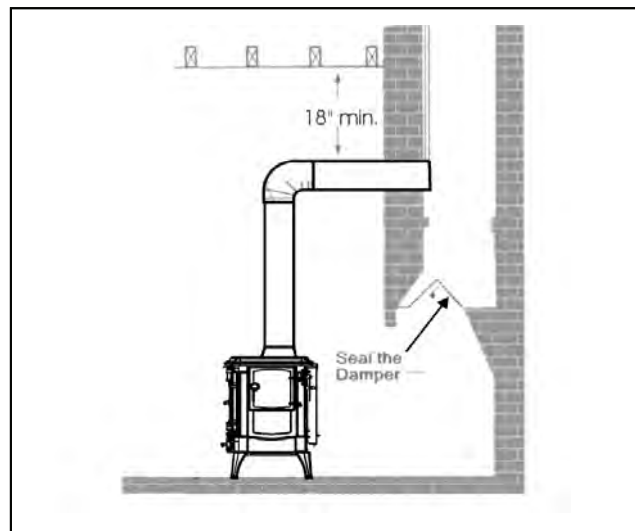
Many building code inspectors follow these guidelines when approving installations.

The methods approved by the NFPA are:

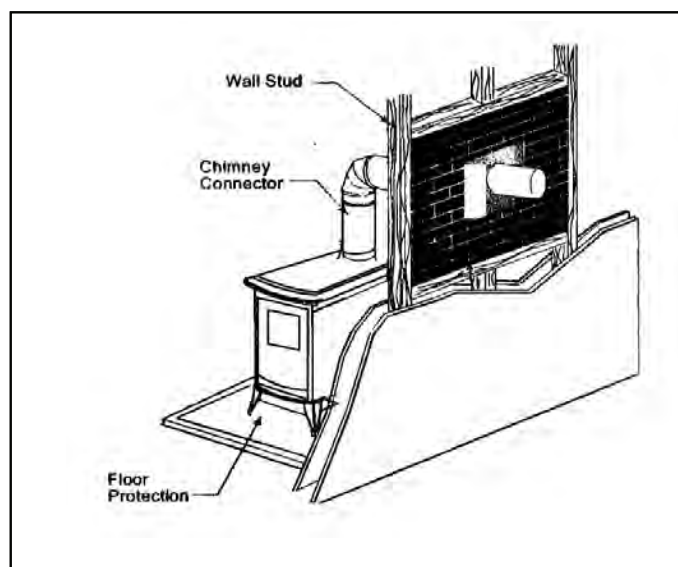
- Cutting away all combustible material in the wall a sufficient distance from the single wall connector, to provide the required 12" (300 mm) clearance for the connector. Any material used to close the opening must be noncombustible (as in Fig . C).
- Using a section of double-wall chimney with a 9" (230 mm) clearance to combustibles.
- Placing a chimney connector pipe inside a ventilated thimble, this is then separated from combustibles by 6" (150 mm) of fiberglass insulating material.
- Placing a chimney connector pipe inside a section of 9" (230 mm) diameter, solid-insulated factory built chimney, with two inches of air space between the chimney section and the combustibles.



A. Chimney connection is a freestanding installation



B. Chimney connector enters chimney above the fireplace



C. An example of an approved wall pass-through

GUIDELINES FOR SAFE OPERATION

Due to high temperatures, the appliance should be located out of traffic and away from furniture and draperies.

Advise all adults and especially children to be alert to the hazard of high temperatures and that they should stay away to avoid burns.

Supervise young children when they are in the same room as the appliance and/or use a fire guard.

It is imperative that the control compartments and circulating air passageways of the appliance be kept clean.

The appliance should be inspected before use and the chimney cleaned at least annually. More frequent cleaning may be required due to poor operation, installation, or low quality fuel.

CAUTION:

- Hot while in operation. Do not touch. Keep children, clothing and furniture away. Contact may cause skin burns.
- This room heater is a heat producing appliance and may cause severe burns if touched. **Keep children away.**
- All furnishings and other materials should be kept a considerable distance from the appliance.
- Do not over-fire. If any portion of unit or chimney connector starts to glow, you are over-firing.

This unit is designed as a radiant room heater and should be used for no other purpose. Be sure to provide combustion air into the dwelling when using the appliance. A partially open window or outside air register in the vicinity of the unit would be acceptable for this purpose.

Unattended Fires

Many structure fires have resulted when a slow burning fire has been left unattended for an extended period of time. These fires normally occur because combustible materials close to an appliance become heated to the ignition point by an over-fired appliance which the operator thought was safely "throttled down."

Fire intensity is a function of several factors. One of these factors is draft. Normally, increasing draft increases fire intensity. Conversely, increasing the fire intensity will increase draft. Draft can also be affected by external factors such as wind strength and direction, outside temperature, airflow in or out of the structure, and so forth. If one of these factors changes, the draft of a low-burning appliance may increase. This increased draft may cause dangerously high temperatures to develop, possibly causing failure of the unit or flue, or ignition of nearby combustibles. Closing down the combustion air flow controls may not guarantee that this will not happen.

Exercise extreme caution if a fire must be left unattended

NOTES ON FIREWOOD

Logs up to 18 inches in length (for Stanford 80 & Harmony I) or 22 inches in length (for Stanford 140 & Harmony III) allow for better stacking, filling and operation of your stove.

Use dry wood which by definition must be wood which has been dried under cover for more than 18 months, in which case the logs contain less than 20% moisture.

- **DO NOT USE FUELS OTHER THAN SEASONED WOOD.**
- **NEVER USE GASOLINE, GASOLINE-TYPE LANTERN FUEL, KEROSENE, CHARCOAL LIGHTER FLUID, OR SIMILAR LIQUIDS TO START OR “FRESHEN UP” A FIRE IN THIS HEATER. KEEP ALL SUCH LIQUIDS WELL AWAY FROM THE HEATER WHILE IN USE.**
- **DO NOT BURN TRASH, GARBAGE OR FLAMMABLE FLUIDS SUCH AS GASOLINE, NAPHTHA OR ENGINE OIL.**

Heating the air in a closed building decreases the relative humidity of the air, which will dry wood and other combustible materials. This drying lowers the ignition temperature of these materials, thus increasing the fire hazard. To reduce the risk of fire, some provision should be made for replenishing moisture to the air whenever a structure is being heated for extended periods.

What is the best wood for the fire?

Some types of wood are easier to light than others.
The best fire wood is always the driest wood.
Using dry wood will minimize creosote build-up.

What are the drawbacks of damp wood?

Damp wood has far less heating power. This lowers the combustion temperature of the fire, and therefore the output. It is difficult to light, burns badly and gives off smoke.

Above all the use of damp wood causes the formation of deposits (tarring and soot staining) in the chimney flue and on the glass door.

Flue gas temperature

The most important aspect of stove operation is maintaining a high combustion temperature. If the combustion of the fuel is at the correct temperature, most of the soot and tars (hydrocarbons) are burned. These hydrocarbons, when not burned, can be seen as tar and creosote deposits on the internal surfaces of the stove, glass and chimney surfaces. To assist in maintaining these temperatures, a surface mounted stove thermometer is recommended.

High combustion temperatures are the secret to clean glass operation. When loading wood, add one or two logs at a time, depending on size. Loading the

appliance full of damp wood on a low fire is certain to cause poor combustion efficiency, resulting in tar and dirty glass.

It is recommended that you heat your stove to at least 400°F before reducing the air controls. This procedure should always be carried out after reloading.

Storage time for wood

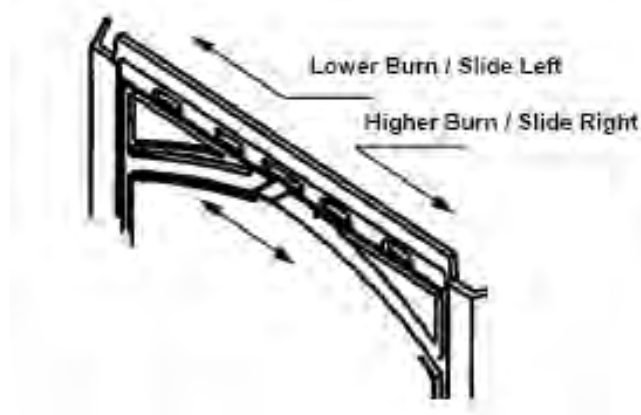
Wood supplied in ready-cut lengths stored immediately under a ventilated shelter dries quicker than wood stocked in high piles. Quarters (split wood) dry quicker than round logs. Wood which is too small to split must be drained, by removing some of the bark. Round logs left in the open for more than a year end up rotten. The drying time for the fire wood must be at least 18 months to 2 years. This period can be shortened (12 to 15 months) if the wood is cut to the right length and immediately stored under a ventilated shelter.

OPERATING INSTRUCTIONS

Air intake controls

Primary Air Control

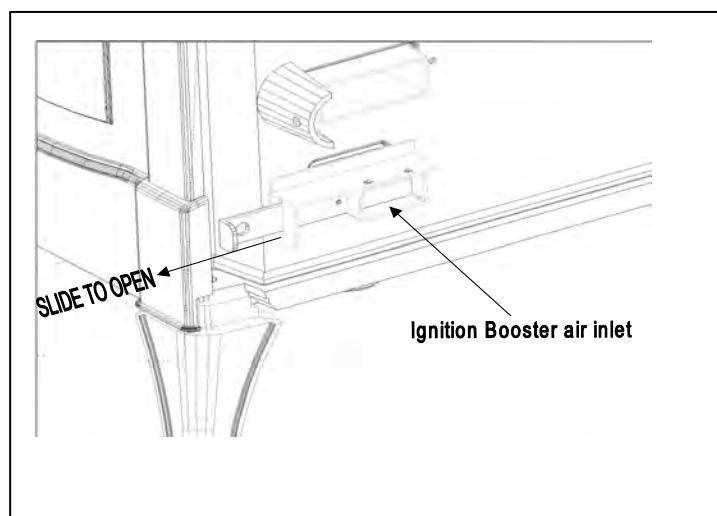
The Primary Air Control allows you to adjust the rate of burn. Sliding the lever to the left decreases air intake, thus increasing the burn time. Sliding the lever to the right increases air intake, resulting in higher flames and a cleaner burn.



Adjustable Primary Air Control
(All Models)

Start-up Air Control

Additional air for start-up can be supplied from the ignition booster air control, located on the back right corner of the Stanford 140 and Harmony III models. This can be especially helpful when your chimney is cold. Sliding the lever to the right increases air for start-up. Five minutes after lighting the fire, close the ignition booster air supply by sliding fully to the left. Do not operate the stove for long periods of time with the ignition booster open.



Start-up Air Control for Ignition Booster
(Stanford 140 and Harmony III only)

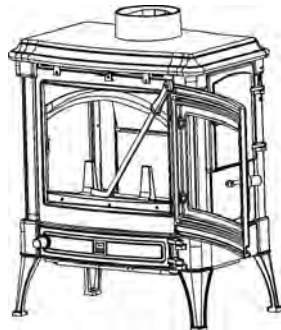
Starting a Fire

1. Fully open the primary air control.
2. Place a small amount of paper in the firebox and cover with a few pieces of kindling.
3. Light the paper in the stove.
4. Once the kindling is burning quickly, add several pieces of wood. Be careful not to smother the fire. For best results, use smaller pieces of wood to get the stove temperature high before loading larger wood for sustained burns.
5. Load logs evenly across the base being cautious not to place wood in front of the rear edge of the log guard.
6. Close the loading door.
7. With the primary air control open to its maximum, open the stove door a fraction and burn for 5 minutes. Then close the stove door. Never leave the stove unattended when the door is open.
8. Adjust the primary air control depending on the temperature of the stove required.

Reloading the Stove

To prevent smoke blowing into the room follow these recommendations:

1. Open the primary air control to allow fire to recover for a few minutes.
2. Close the primary air control and open the loading door.
3. Rake the embers towards the front of the stove and spread evenly. If there are logs only partially burned rake these to the front of stove.



4. Feed the logs to the embers. Try to use side loading door as it will allow for cleaner operation. Load logs evenly across the base being cautious not to place wood in front of the rear edge of the log guard.
5. Close the loading door.
6. Open the primary air control to its maximum, open the stove door a fraction and burn for 5 minutes. Then close the stove door. Never leave the stove unattended when the door is open.
7. Adjust the primary air control depending on the temperature of the stove required.
 - In order to maintain an attractively burning fire, logs should be up to 18" long (Stanford 80 and Harmony I) or 22" long (Stanford 140 and Harmony III) and well seasoned.
 - High combustion temperatures are the secret to clean glass operation. When loading wood add one or two logs at a time, depending on size.

Loading the appliance full of damp wood on a low setting, is certain to cause poor combustion efficiency resulting in tar and dirty glass. Always allow the stove to recover before closing for long burning.

Overnight burning

If you fill your appliance with wood and close all air supplies, it is possible to achieve overnight burning, though it is probable that the glass door will become dirty.

To keep the glass clean, we recommend you do not shut the primary air control completely but to leave it slightly open, depending on how the chimney draws, to achieve slow burning for a maximum of eight to ten hours (with dry, good quality wood such as oak...). With a good drawing chimney the air control will need to be closed further than with poor drawing chimneys.

Disposal of Ashes

Empty the ash pan regularly to prevent the ash from spilling over. Do not allow ash to build up and touch the under side of the grate. A layer of ash left over the grate when burning wood will protect the grate, retain heat, and promote clean combustion.

CAUTION: ASH PAN MAY BE HOT. USE HIGH TEMPERATURE GLOVES.

To remove the ash from the stove, operate the oscillating grate using the handle provided. Open the ash pan door, attach handle to ash pan and remove. Place cover over ash pan. **The tool provided for removal of the ash pan should not be used to carry the ash pan. Use gloves and hold ash pan on both sides.**

Place ashes in a metal container with a tight fitting lid. The closed container of ashes should be placed on a non-combustible floor or on the ground, well away from all combustible materials, pending final disposal. If the ashes are disposed of by burial in soil or otherwise locally dispersed, they should be retained in the closed container until all cinders have thoroughly cooled.

MAINTENANCE

WARNING: DO NOT CLEAN STOVE WHILE HOT.

1. Always keep the area around the unit clean and clear of furniture and other objects. Keep all furniture and drapery a minimum 36 inches (914 mm) from the heater.
2. Clean the heater surface with a dry or slightly damp cloth. In case of condensation, clean the affected areas before they dry.

Clean the door glass with glass cleaner or all-purpose cleaning solution. The glass used is a ceramic type, which can only be broken by impact or misuse. Do not clean with materials that may scratch or otherwise damage the glass. Scratches on the glass can develop into cracks or break. Inspect the glass regularly. If you detect a crack, extinguish the fire and see replacement of glass on page 16.

3. Inspect the entire unit frequently for proper operation, fit and soundness of parts. If any malfunctioning, cracked, broken, or loose parts or other problems are noted, contact your dealer or qualified serviceman to inspect and repair the unit. **DO NOT OPERATE THE UNIT IF INSTALLED OR FUNCTIONING IMPROPERLY.**
4. Check the fit and seal of the doors and ashpan door frequently. For proper operation an airtight seal must be maintained around these openings. If the seal is not tight, inspect the gasket. If the gasket needs replacement, contact your dealer. If the gasket is in good condition, check the closure latch screws; if these are loose, tighten with a screwdriver and retest the seal.
5. Store wood in a cool, dry place, well away from any source of flame or heat. If stored outside, keep the wood covered to protect from rain or snow. Keep paper, wood, rags and other easily ignited materials away from the wood. If wood should become wet, separate it and allow it to dry naturally; do not mix wet and dry wood or pile wet wood on top of dry wood.
6. Any maintenance other than the items specifically covered in these instructions must be performed by a qualified manufacturer's representative.

Creosote Formation and Need for Removal.

When wood is burned slowly, it produces tar and other organic vapors, which combine with expelled moisture to form creosote. The creosote vapors condense in the relatively cool chimney flue of a slow burning fire. As a result, creosote residue accumulates on the flue lining. When ignited, this creosote makes an extremely hot fire.

The chimney connector and chimney should be inspected at least once every two months during the heating season to determine if a creosote build-up has occurred. The chimney connector must be in good condition and kept clean.

If creosote has accumulated (1/8 "(3 mm) or more) it should be removed to reduce the risk of a chimney fire. Experienced chimney servicing personnel should be consulted.

Contact your local municipal fire authority for further information on what to do in case of a chimney fire. It is extremely important to have a clear plan on how to handle a chimney fire.

Procedure to follow in case of a chimney fire:

- A. Prepare to evacuate to ensure everyone's safety. Have a well-understood plan of action for evacuation. Have a place outside where everyone is to meet.
- B. Close all the air controls on the stove.
- C. Call the fire department. Have a fire extinguisher handy.
- D. After the chimney fire is out, the chimney must be cleaned and checked for stress and cracks before starting another fire. Also check combustibles around the chimney and the roof.

Establish a routine for the fuel, wood burner and firing technique. Check daily for creosote build-up until experience shows how often you need to clean to be safe. Be aware that the hotter the fire, the less creosote is deposited. Weekly cleaning may be necessary in mild weather even though monthly cleaning may be enough in the coldest months. Contact your local municipal or provincial fire authority for information on how to handle a chimney fire. Have a clearly understood plan to handle a chimney fire.

Maintenance of the glass

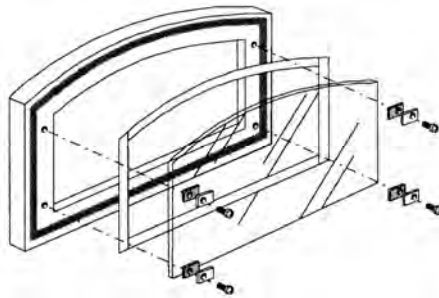
Properly operated, your glass door will not get coated with thick tar like conventional stoves. If this does occur you may have to resort to using a glass cleaner. However by using dry wood, much of the tar on the glass will burn clean, when the appliance is run at high temperature. Clean the ceramic glass when cold using commercial products sold for this purpose, or warm water with a drop of vinegar.

CAUTION: NEVER OPERATE YOUR STOVE WITH BROKEN GLASS.

Replacement of the glass

1. Open the door as indicated below.
2. Remove the 4 fixing screws and fit the new glass.
3. Replace the seals.
4. Install the 4 screws. Do not over-tighten the screws.

When replacing glass always replace glass seals.



Other maintenance

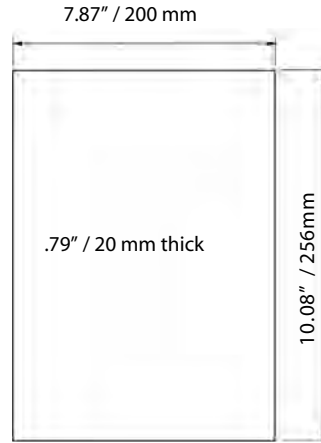
Clean the unit, the flue outlet, and the chimney at the end of each heating season or more often if the use of the stove, or the fuel make it necessary. For cleaning purposes the baffle plates can be removed without any tools. This gives access to the cleaning flap of the smoke flue and it is even possible to reach the flue outlet.

Summer shut down

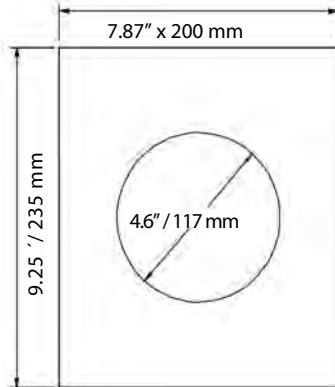
Ashes shall be removed, and disposed of in a steel container with a tightly fitting lid and moved outdoors immediately. Other waste shall not be placed in this container.

Remove all remaining ash and cinders from the unit, close all the stove doors. If the room is damp, possibly place some absorbent crystals inside the stove and/or disconnect it completely from the chimney.

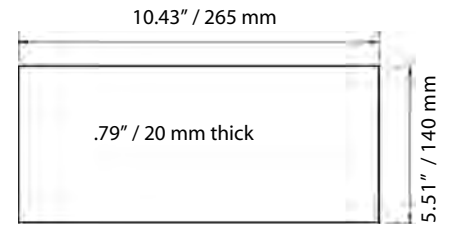
Left Lower Firebrick
(Stanford 140 & Harmony III)
order code: 41201



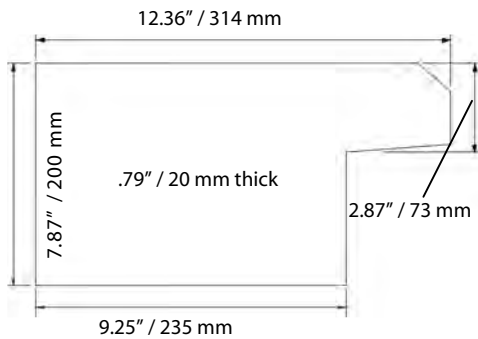
Bottom Center Firebrick
(Stanford 140 & Harmony III)
order code: 41287



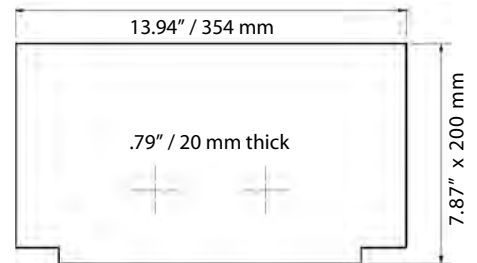
Upper Left Firebrick
(Stanford 140 & Harmony III)
order code: 41202



Bottom Side Firebrick
(Stanford 140 & Harmony III)
order code: 41198

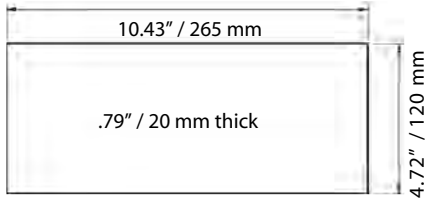


Lower Rear Firebrick
(Stanford 140 & Harmony III)
order code: 41204



REPLACEMENT PARTS - Models: Stanford 80 EPA & Stanford 140 EPA - Harmony I EPA & Harmony III EPA

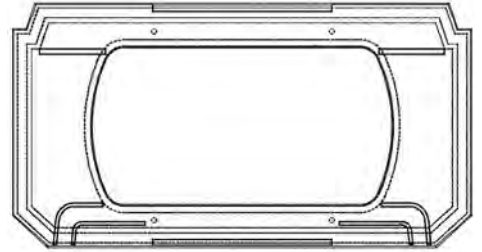
Right Lower Firebrick
(Stanford 140 & Harmony III)
order code: 41203



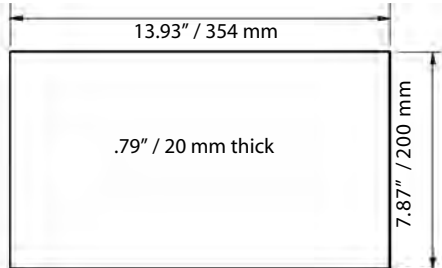
Right Firebrick
(Stanford 80 & Harmony I)
order code: 38741
8.47\"/>



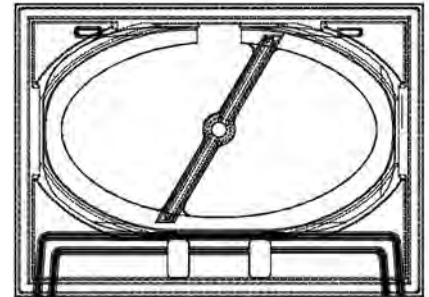
Fuel Grate Frame
(Stanford 80 & Harmony I)
order code: 30863



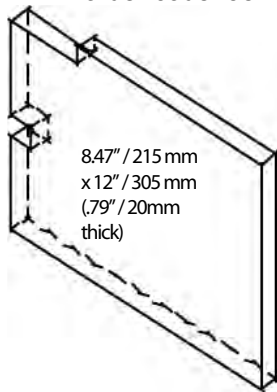
Upper Rear Firebrick
(Stanford 140 & Harmony III)
order code: 41205



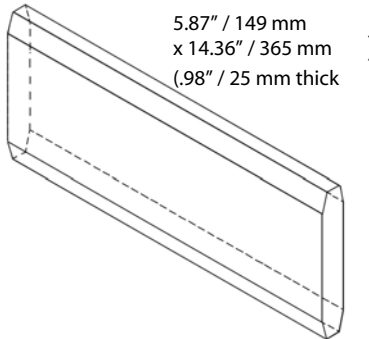
Fuel Grate Frame
(Stanford 140 & Harmony III)
order code: 38270



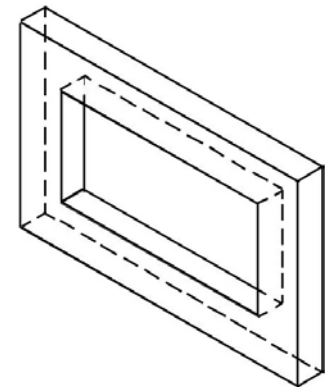
Left Firebrick
(Stanford 80 & Harmony I)
order code: 38742



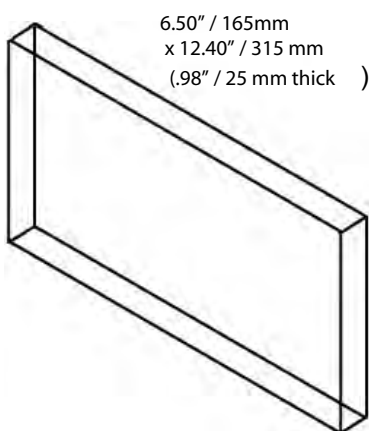
Baffle Firebrick
(above tubes on ceiling)
(Stanford 80 & Harmony I)
order code: 38745



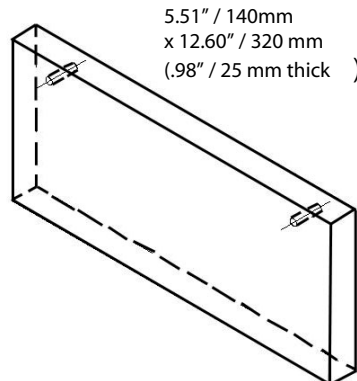
Air Column Gasket
(Stan 80, Harm I, Stan 140, Harm III)
order code: 40264



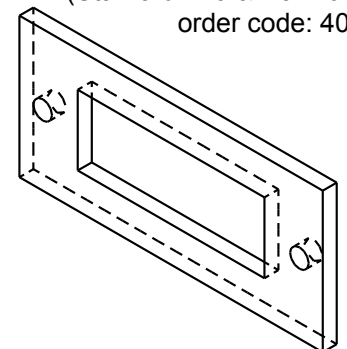
Lower Rear Firebrick
(Stanford 80 & Harmony I)
order code: 38743



Upper Rear Firebrick
(Stanford 80 & Harmony I)
order code: 38744



Start-up Air Column Gasket
(Stanford 140 & Harmony III)
order code: 40739



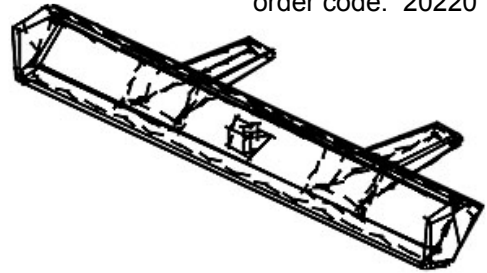
REPLACEMENT PARTS

- Models: Stanford 80 EPA & Stanford 140 EPA - Harmony I EPA & Harmony III EPA

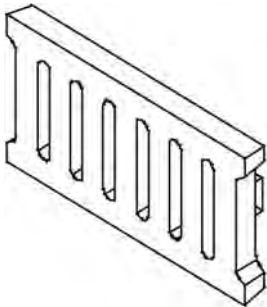
(◆20) Fuel Grate Support Bar
(Stanford 80 & Harmony I)
order code: 32045



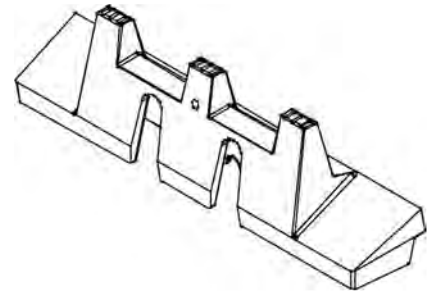
(◆29) Log Guard
(Stanford 80 & Harmony I)
order code: 20220



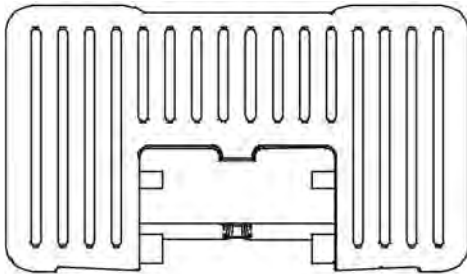
(◆21) Ash Removal Grate
(Stanford 80 & Harmony I)
order code: 19777



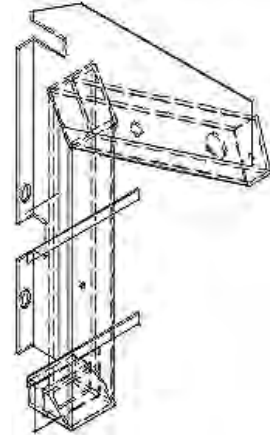
(◆30) Log Guard
(Stanford 140 & Harmony III)
order code: 41546



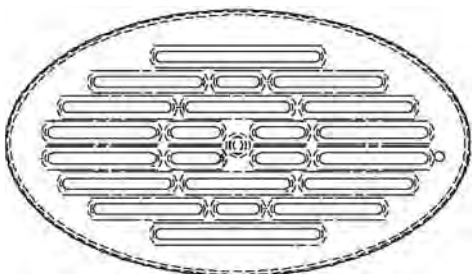
(◆22) Fuel Grate
(Stanford 80 & Harmony I)
order code: 39449



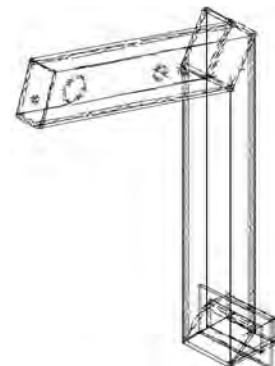
(◆31) Left Air Column Assembly
(Stanford 80 & Harmony I)
order code: 39455



(◆23) Fuel Grate
(Stanford 140 & Harmony III)
order code: 38262



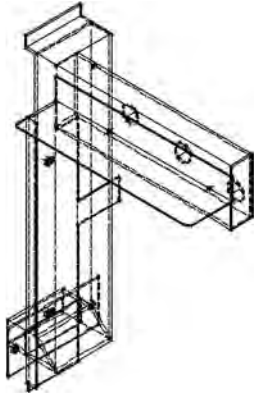
(◆31) Right Air Column Assembly
(Stanford 80 & Harmony I)
order code: 39454



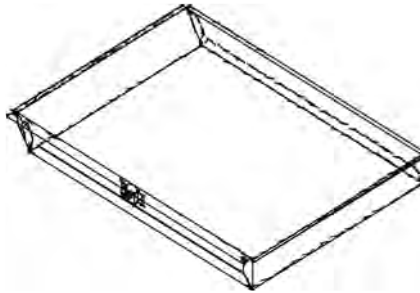
REPLACEMENT PARTS

- Models: Stanford 80 EPA & Stanford 140 EPA - Harmony I EPA & Harmony III EPA

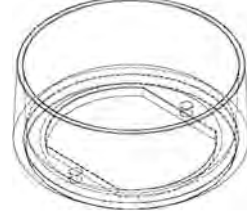
Left Air Column Assembly
(Stanford 140 & Harmony III)
order code: 40706



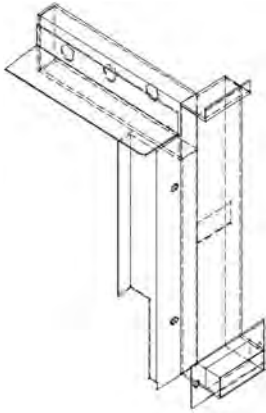
Ashpan
(St 80, Harm I, St140, Harm III)
order code: 41526



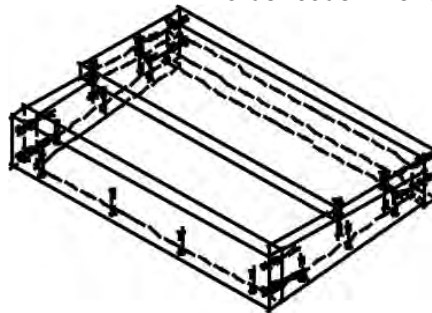
Flue Outlet Collar
(Stanford 80 & Harmony I)
order code: 39443



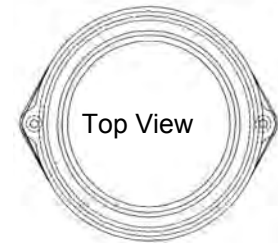
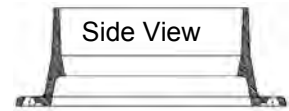
Right Air Column Assembly
(Stanford 140 & Harmony III)
order code: 40715



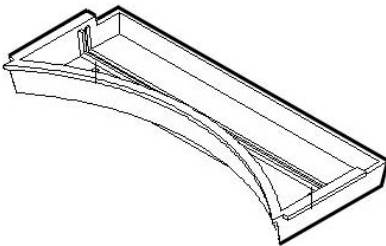
Baffle Assembly, Ceramic Fiber
Brick (above secondary air tubes)
(Stanford 140 & Harmony III)
order code: 41540



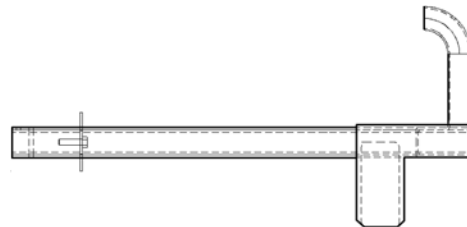
Flue Outlet Collar
(Stanford 140 & Harmony III)
order code: 21332



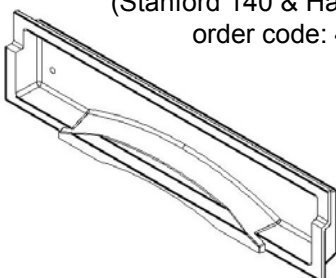
Upper Air Deflector
(Stanford 80 & Harmony I)
order code: 45135



Start-up Air Channel Assembly
(Stanford 140 & Harmony III)
order code: 41530



Upper Air Deflector
(Stanford 140 & Harmony III)
order code: 41298



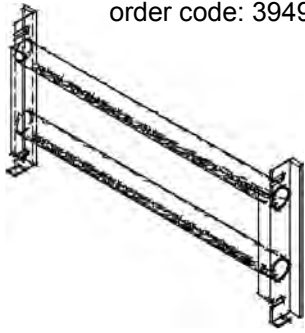
Fire Poker
(St 80, Harm I, St140, Harm III)
order code: 20017



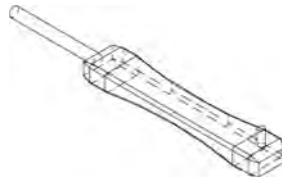
REPLACEMENT PARTS

- Models: Stanford 80 EPA & Stanford 140 EPA - Harmony I EPA & Harmony III EPA

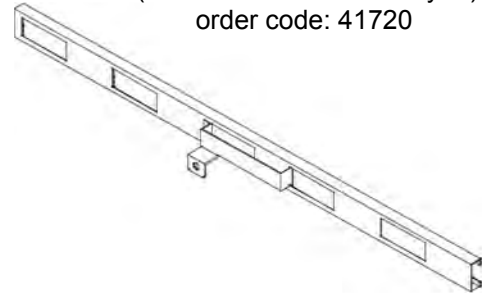
Secondary Air Tube Assembly
(Stanford 80 & Harmony I)
order code: 39492



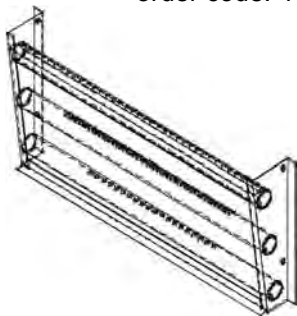
Air Control/Ash Pan Removal Tool
(St 80, Harm I, St140, Harm III)
order code: 20034



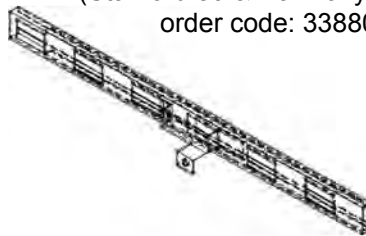
Draft Module (Air Intake Slide)
(Stanford 140 & Harmony III)
order code: 41720



Secondary Air Tube Assembly
(Stanford 140 & Harmony III)
order code: 40700

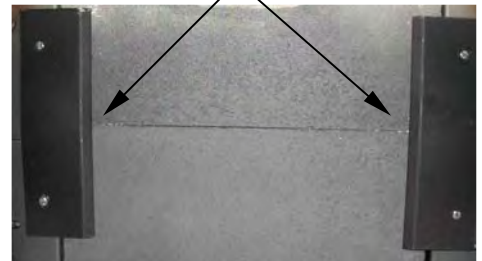


Draft Module (Air Intake Slide)
(Stanford 80 & Harmony I)
order code: 33880

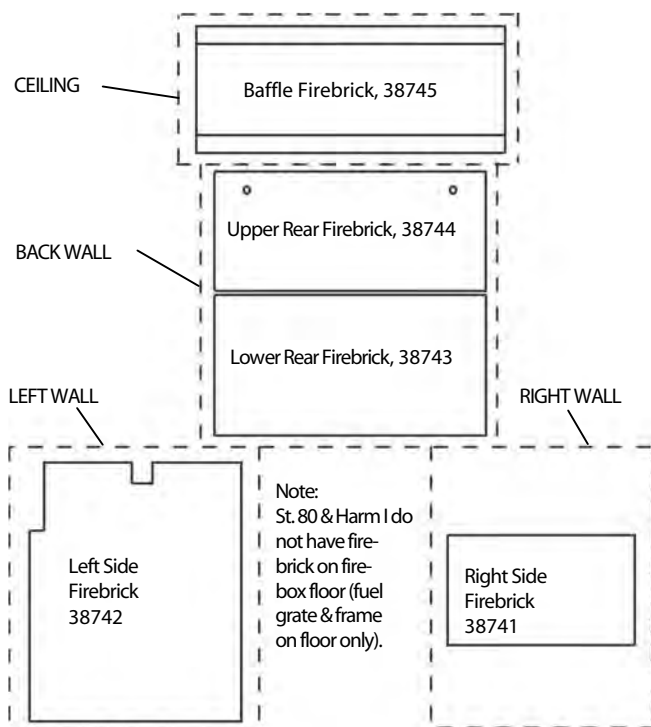


Rear Firebrick Retainers
(Stanford 140 & Harmony III)
order code: 41852

Side Retainers Not Shown



Stanford 80 & Harmony I Firebrick Placement Diagram



Stanford 140 & Harmony III Firebrick Placement Diagram

Note: The refractory baffle assembly on ceiling (above tubes), not shown.

