



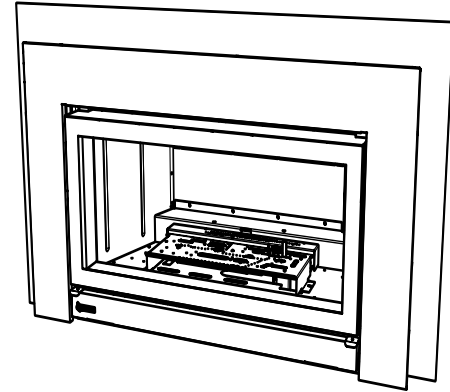
1-800-968-8604

*Extinguishing mediocrity online since 1999*

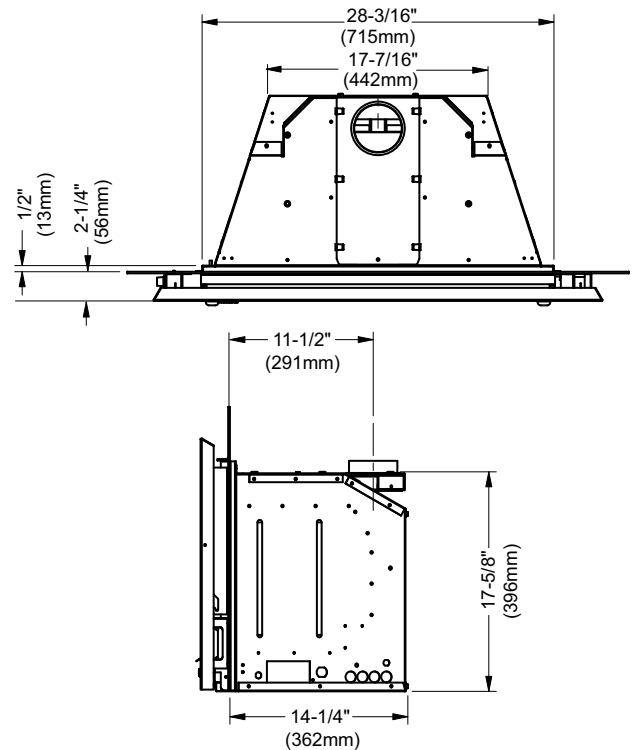
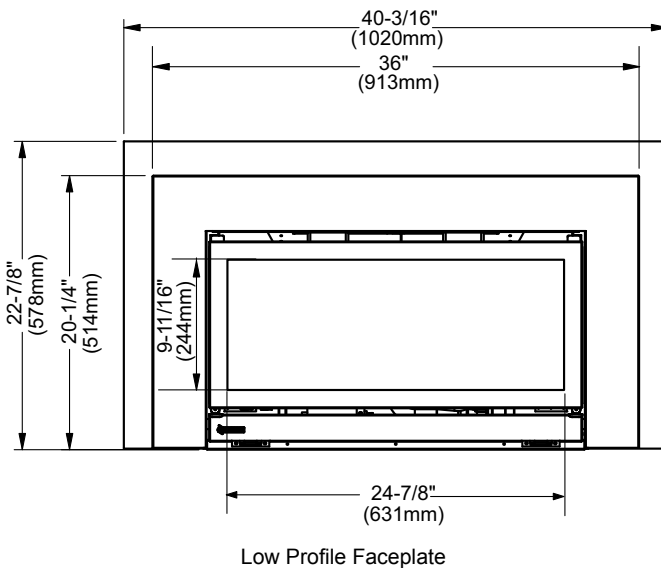
## E21-10 Gas Insert

Model	E21-NG10	E21-LP10
Fuel Type	Natural Gas	Propane
Minimum Supply Pressure	5" W.C. (1.25 kPa)	12" W.C. (3.00 kPa)
Manifold Pressure - High	3.8" W.C. (0.95 kPa)	11" W.C. (2.74 kPa)
Manifold Pressure - Low	1.1" W.C. (0.27 kPa)	2.9" W.C. (0.72 kPa)
Orifice Size - Altitude 0-2000 ft.	#43 DMS	#54 DMS
Orifice Size - Altitude 2000-4500 ft.	#44 DMS	
Minimum Input Altitude 0-2000 ft. (0-610m)	11,750 BTU/h (3.44 kW)	11,250 BTU/h (2.64 kW)
Minimum Input Altitude 2000-4500 ft. (610-1372m)	11,000 BTU/h (3.22 kW)	
Maximum Input Altitude 0-2000 ft. (0-610m)	23,500 BTU/h (6.89 kW)	22,500 BTU/h (6.59 kW)
Maximum Input Altitude 2000-4500 ft. (610-1372m)	22,000 BTU/h (6.45 kW)	
Vent Sizing	4" B-Vent	4" B-Vent

Approved Venting Systems	
Flex Vent Systems:	4" FPI Flex Vent 948-425 (25') or 948-435 (35')
With Offset adapter 532-920	3" FPI Flex Vent Kit 948-335 (35')



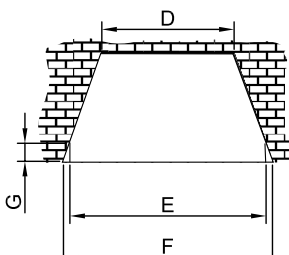
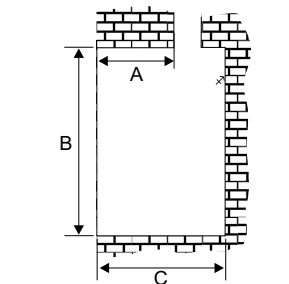
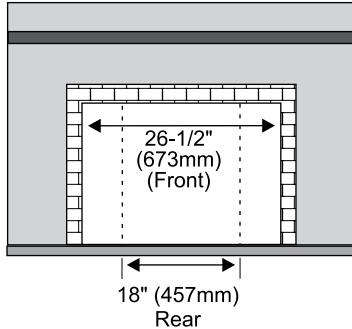
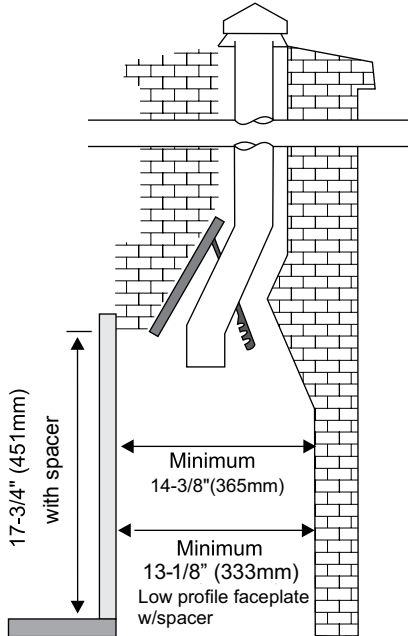
### Unit Dimensions



## E21-10 Gas Insert

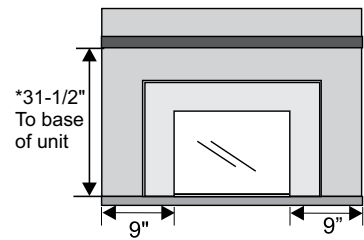
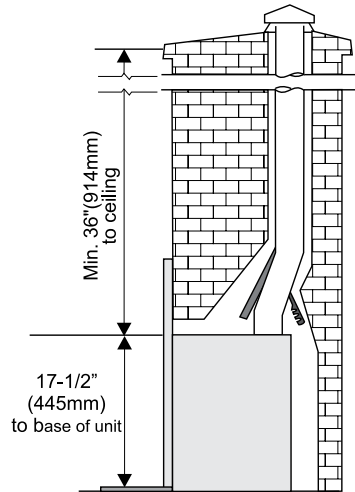
### MINIMUM FIREPLACE DIMENSIONS

Diagram shows the minimum fireplace opening required to be able to install the Regency® gas fireplace insert.

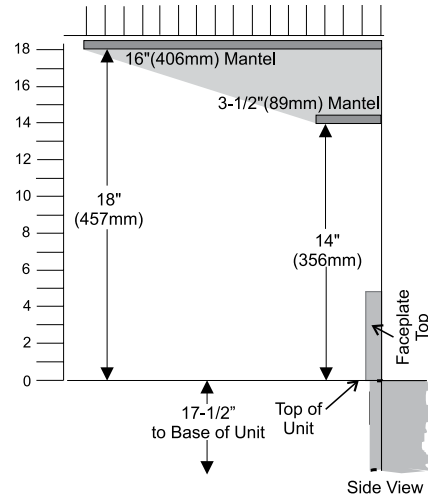


The minimum clearance from the side of the appliance to a combustible side wall is 9 inches (229mm). The minimum clearance from the top of the appliance to a combustible mantel is 14 inches (356mm). The minimum height from the top of the appliance to the ceiling is 36 inches (914mm).

**Note:** A non-combustible mantel may be installed at a lower height if the framing is made of metal studs covered with a non-combustible board.



Side of unit to wall.  
\* With mantel at 0" to 3-1/2"



Side View

	Max Lenth Bar Depth A	Height B	Depth C	Width (rear) D	Width (front) E	Width F	Front Depth To Taper G
Low Profile Faceplate	11-1/2"	18-1/2"	14-3/8"	18"	28-3/8"	28-3/4"	3/4"
Low Profile Faceplate w/Spacer	10-1/8"	17-3/4"	13-1/8"	18"	N/A	26-1/2"	N/A

## VENTING

**THE APPLIANCE MUST NOT BE CONNECTED TO A CHIMNEY FLUE SERVING A SEPARATE SOLID FUEL BURNING APPLIANCE.**

This appliance is designed to attach to a 4" diameter type B-Vent or double thickness approved aluminium flex liner.

The flue collar of the appliance will fit inside a standard vent and may be fastened directly to the vent by sheet metal screw or a B-Vent, single wall vent connector. B-Vent chimneys require a 1" clearance to combustibles.

A 3" diameter type B-Vent or approved aluminium flex liner may also be used with a 4" to 3" reducing adapter. Consult venting charts and local code requirements.

The Regency® Insert incorporates its own internal draft hood, so no additional external draft hood is required. Check periodically that the vent is unrestricted and an adequate draft is present when the unit is in operation.

Before installing the vent system ensure that the damper plate is locked into the open position and secure to prevent the damper plate from falling down and crushing the liner.

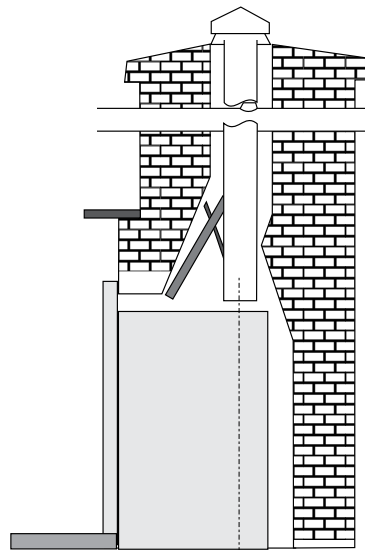
The appliance is equipped with a vent safety shutoff system and a safety control system designed to protect against improper venting of combustion products. The appliance will not function without being connected to a proper system.

**WARNING: Operation of this heater when not connected to a properly installed and maintained venting system or tampering with the vent shut-off system can result in carbon monoxide (CO) poisoning and possible death.**

This appliance must not be connected to a chimney flue serving a separate solid fuel burning appliance.

For best venting performance, we **recommend** the following venting rules:

- 1) Use only certified Type B gas vent or approved flex liner.
- 2) Follow the vent manufacturer's instructions and clearance requirements.
- 3) Observe any local code restrictions, if any, regarding the installation of gas inserts.
- 4) Use as few elbows as possible.
- 5) Keep horizontal lengths as short as possible and maintain at least an upward slope of 1/4 in. (6.4mm) for every 12 in. (305mm) of horizontal run.
- 6) Terminate the vent with a suitable certified vent cap.



### Optional Offset Flue Adaptor

A Offset Flue Adaptor Kit, Part #532-920 is available as an accessory to move the flue outlet back for easier liner installations in deep fireplaces.

**Note:** The unit comes standard with a 4" flue collar. The optional flue adaptor is a 3" flue collar.

