

PRODUCT SPECIFICATIONS

600DVM Cameo Direct Vent System



GLASS VIEWING AREA

38-15/16" W x 22-3/16" H (864 Square Inches)

TECHNICAL INFORMATION

Max. Btu Input: 32,000 BTU/HR

Ignition System: Signature Command™ System

Gas Type: Natural or LP

Flue Type: Simpson Dura-Vent, Selkirk Metalbestos, MetalFab

Termination: Rear/Top Vent Convertible

Clearance to Flue for Interior: 3" Top, 1" Bottom and Sides**

Clearance to Flue for Outside Wall: 1"

Clearance to Fireplace: 0"

CSA Design Certified

FIELD INSTALLED ACCESSORIES

Louvers: Brass, Pewter

Medium Trim: Brass, Pewter, Black

Curved Trim: Brass, Pewter, Black

Firebrick: Tavern Brown or Cottage Red

Millivolt Control Variable Thermostat Controlled Dual Forced Air Blower (160 cfm) – BLOTSDV

Signature Command Dual Forced Air Blower (160 cfm) - BLOTSDVSC

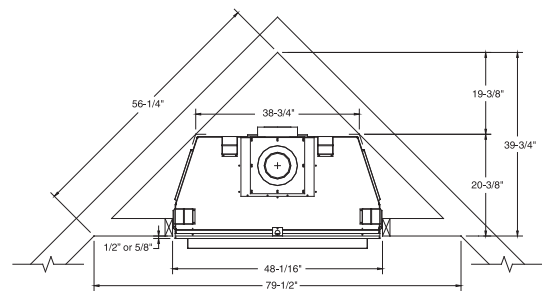
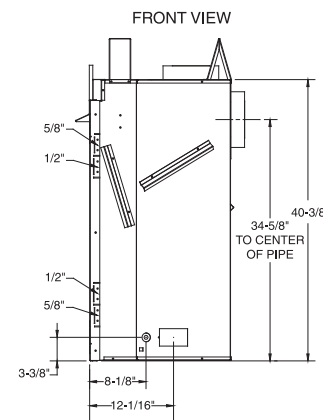
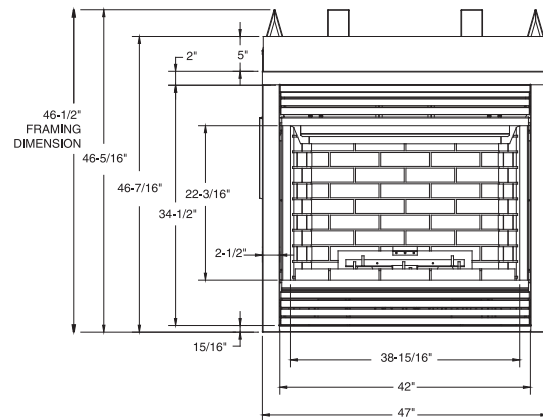
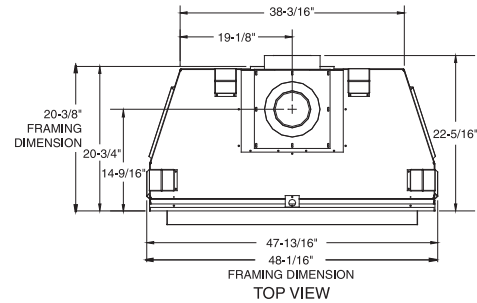
Mesh Glass Cover

Ambient Technologies™ Remote Controls and Thermostats

Wood Cabinet Surrounds

Designer Facings

** If vertical rise is 7-1/2 feet or higher when in top vent configuration only, the vent clearance to combustibles is 1" on all sides of the horizontal run.



CORNER INSTALLATION



A Brand of Monessen Hearth Systems Co.
149 Cleveland Drive, Paris, Kentucky 40361
www.majesticproducts.com



To avoid personal injury or property damage, the product described by this brochure must be installed, operated and maintained in strict compliance with the instructions packaged with the product and all applicable building or fire codes. Contact local building or fire officials about restrictions and installation inspection requirements. All photographs and drawings on this brochure are for illustrative purposes only and are not intended for, nor should they be used as a substitute for the instructions packaged with the unit. Appearance and specifications of the product are subject to change without notice. 02/10