



1-800-968-8604

*Extinguishing mediocrity online since 1999*

PRODUCT SPECIFICATIONS

# IDV380C Direct Vent Insert System



### GLASS VIEWING AREA

382 Square Inches

### TECHNICAL INFORMATION

Max. Btu Input: 30,500 NG / 28,000 LP

Minimum Fireplace Dimensions: 28"W x 21"H

Ignition System: Standing Pilot

Gas Type: Natural or LP

Natural Flame™ Burner with 7-piece Fiber Ceramic Log Set

Millivolt with on/off switch and variable flame height control in

natural gas or propane gas

Cottage Clay firebrick

Thermostat controlled blower

Black Filigree Panels

Consumer friendly deluxe control panel with on/off switch

CSA Design Certified

### FIELD INSTALLED ACCESSORIES

Beveled Trim: Black in two sizes

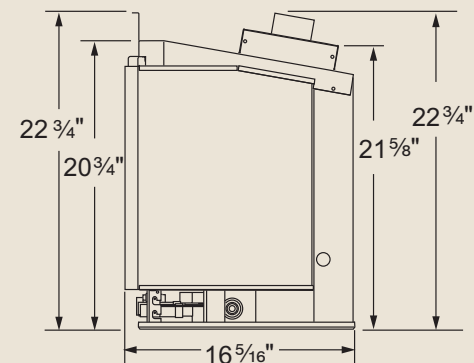
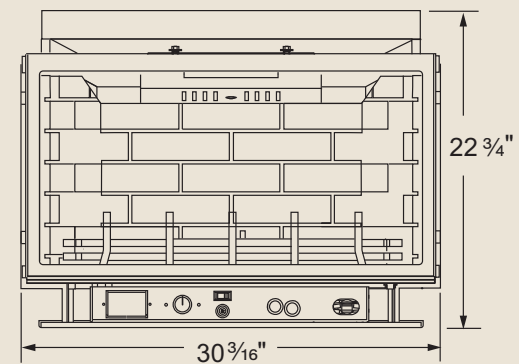
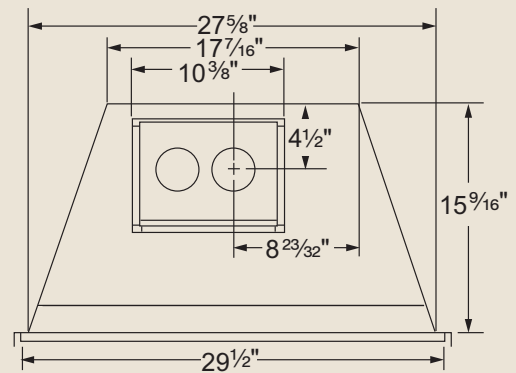
Flat Trim: Black in two sizes

3" intake and 3" exhaust vent pipe connectors for chimney flex liners

Designer faces available

Ambient Technologies™ Remote Controls and Thermostats

Cabinet doors with screen, door frames, filigree panels and bay front screens



A Brand of Monessen Hearth Systems Co.  
149 Cleveland Drive, Paris, Kentucky 40361

[www.monessenhearth.com](http://www.monessenhearth.com)



To avoid personal injury or property damage, the product described by this brochure must be installed, operated and maintained in strict compliance with the instructions packaged with the product and all applicable building or fire codes. Contact local building or fire officials about restrictions and installation inspection requirements. All photographs and drawings on this brochure are for illustrative purposes only and are not intended for, nor should they be used as a substitute for the instructions packaged with the unit. Appearance and specifications of the product are subject to change without notice. © 2009 Monessen Hearth Systems Co.