

CUISINIERE

HIGH EFFICIENCY



Warmth from the heart of J.A.ROBY INC.



**BACK TO BASICS WITH ACTUAL LOOK
THANKS TO THIS WOODBURNING COOKSTOVE!**

LIMITED LIFE WARRANTY

MANUFACTURED
IN 
CANADA

J. A. ROBY inc. 490 rue de l'Argon, Quebec, Qc. Canada, G2N 2C9 Phone : (418) 849 8095 Fax : (418) 849 0077 www.jaroby.com

Pictures shown are as indicative title only.

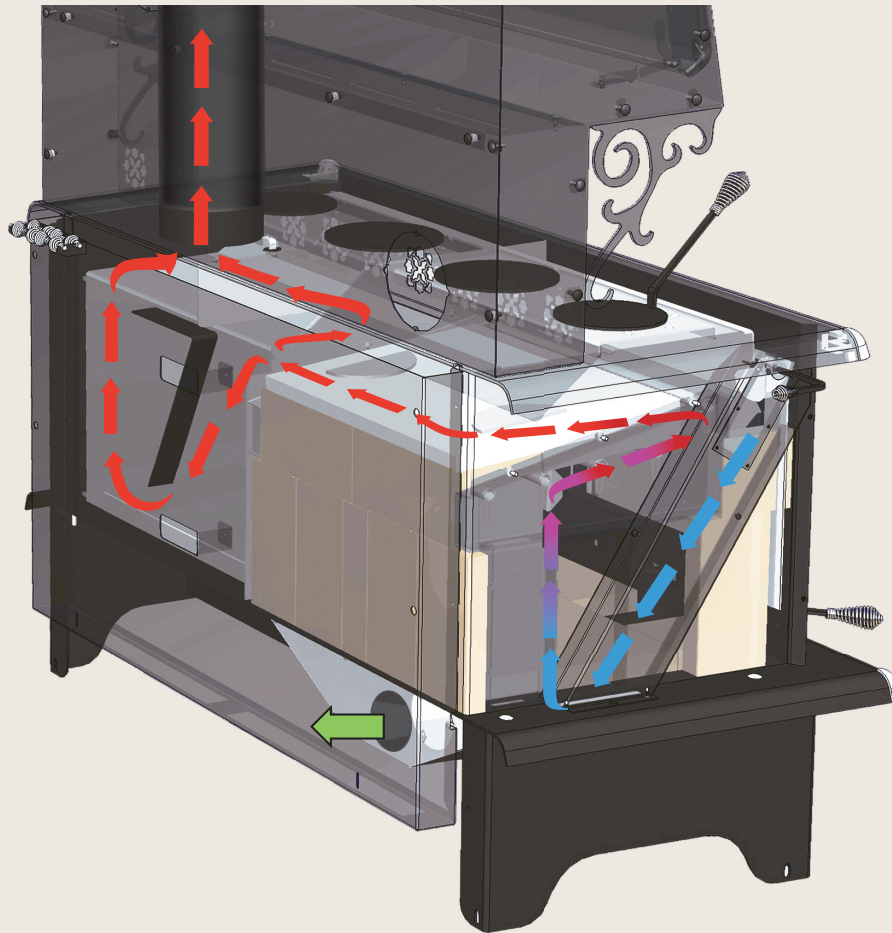
CUISINIERE



Decorative chromed top and mirror

1.3 Gr / H
LHV 78.6 %

TEST STANDARD CAN / CSA STD B415.1-10
ULC STD S627.00
UL 1482-7



- HOT AIR
- AMBIENT AIR
- OUTDOOR AIR INTAKE

Recommended surface (Sq.ft)	500 - 2 300	FOOD WARMER :
Exterior dimensions (with food warmer)	50 ³ / ₄ " W X 55" H X 28" D	46 ¹ / ₄ " W X 10" H X 12" D
Interior dimensions	18 ¹ / ₂ " W X 12 ¹ / ₄ " H X 19 ³ / ₄ " D	Door opening
Door opening	16 ¹ / ₄ " W X 10 ¹ / ₂ " H	39 ¹ / ₂ " W X 6" H
Evacuation pipe	6"	
Floor to ceiling clearance	84"	OVEN :
Average capacity (Dry seasoned wood)	95 000 BTU /h	17" W X 14" H X 19 ¹ / ₂ " D
Average capacity (Wood test)	53 935 BTU/h	Door opening :
Weight	580 lbs	17" W X 12 ¹ / ₂ " H
Log length	19"	OPTION :
Back clearance	12"	Decorative chromed top and mirror
Lateral and corner	18"	Black enameled cast iron cooking plate.
Firebox capacity	2.87 ft ³	Firescreen
		Outdoor air intake



Warmth from the heart of J.A.ROBY INC.

Distributed by: