



1-800-968-8604

Extinguishing mediocrity online since 1999

WRT/WRE 3800/4800/6800 SERIES

 PUREFIRE™ WOOD BURNING FIREPLACES

Superior[™]
FIREPLACES

Our name is our promise.



Breathe deeper. Live better.
The industry leader for clean open hearth wood burning fireplaces.



A CLEAR VIEW OF TOMORROW

We understand that burning wood has an impact on the air we breathe and we are passionate about building products that are environmentally responsible. A fireplace is more than just a heat source; it's the centerpiece of your home, the place you gather around with family and friends. Nothing is more important than the joy and happiness shared there. Superior is committed to preserving this tradition.

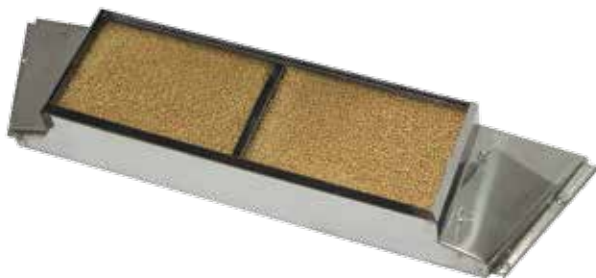
Our award winning PureFire™ technology allows you to enjoy a wood burning fireplace with a clear conscience. It is a smoke purification product that removes about 75% of harmful pollutants from entering the atmosphere. Best of all, it remains unseen once installed so you can enjoy making memories around the fire the same way you always have.

BENEFITS

- 🔥 Reduces current particulate emissions by approximately 75%. (See chart for illustration.)
- 🔥 Virtually eliminates carbon monoxide. (including CO from gas logs)
- 🔥 PureFire™ is a passive system. Burn a fire the same way you always have. No moving parts and no special requirements.
- 🔥 Choose a PureFire™ Fireplace or our aftermarket Emission Control Hood for existing fireplaces.
 - * Hood installs in any size fireplace in less than 45 minutes.

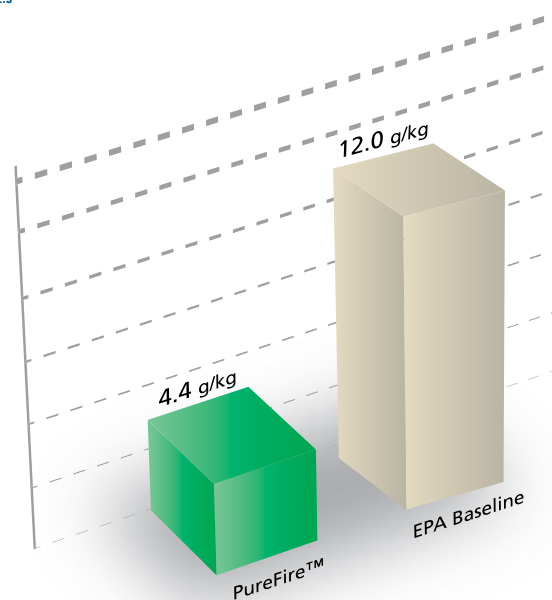
BREATHE EASIER WITH PUREFIRE™

This technology reduces volatile organic compounds and carbon monoxide by up to 90%. Its unique design greatly improves the heating efficiency of the fireplace and allows you to operate your fireplace with glass doors. Astria offers six wood burning fireplaces (adjacent page). For homeowners with existing wood burning fireplaces, install our PureFire™ Emission Control Hoods and get the same quality results. The adjustable size makes it a perfect solution for any wood burning fireplace.



PureFire™ Emission Control Hood (shown above) installs in the roof of your firebox, so it's out of sight.

PM_{2.5} REDUCTIONS WITH PUREFIRE™



Grams of PM Emissions per Kilogram of Wood Burned

Open Face Fireplace After 20 Minutes Operation



Without PureFire™

With PureFire™

PureFire™ Aftermarket Adjustable Emission Control Hoods

MODEL	DESCRIPTION
AH1924P	Emission Control Hood. Adjusts to fit fireplaces with a back wall measurement between 19" and 24".
AH2231P	Emission Control Hood. Adjusts to fit fireplaces with a back wall measurement between 22" and 31".
AH3143P	Emission Control Hood. Adjusts to fit fireplaces with a back wall measurement between 31" and 43".

Select Superior™ fireplaces are preinstalled with the PureFire™ Hood. These models include WRT3800/4800/6800 and WRE3800/4800/6800. See applicable product literature for more details.

Signature Series



INDOOR: WRT6800



OUTDOOR: WRE6800

Custom Series



INDOOR: WRT4800



OUTDOOR: WRE4800

Pro Series



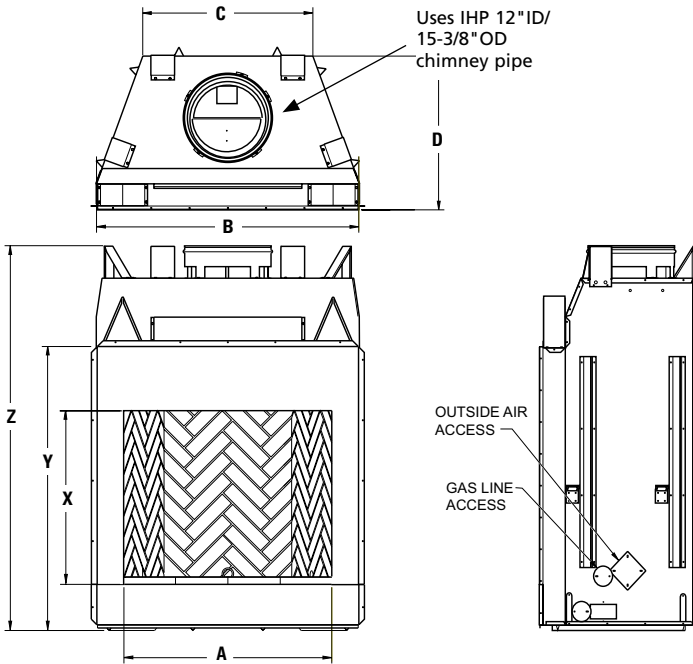
INDOOR: WRT3800



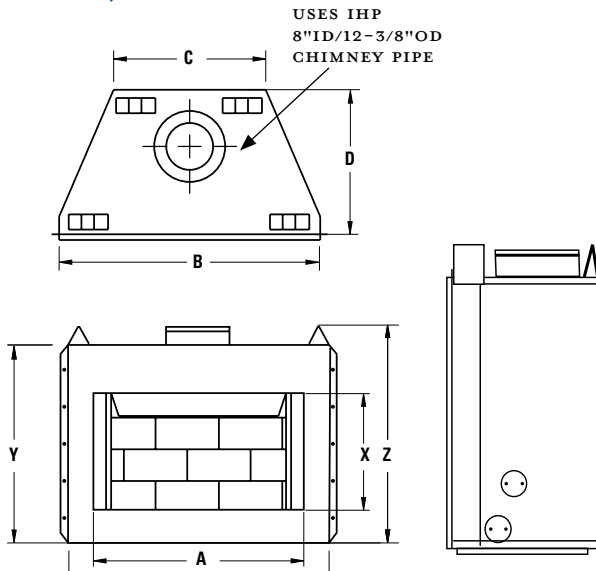
OUTDOOR: WRE3800

Emission control catalysts are factory installed with PureFire™ models.

WRE/WRT4800/6800



WRE/WRT3800



WRE/WRT4800/6800

WRE/WRT3800

	42"	50"	36"
A	42"	50"	35"
B	51"	59"	41"
C	30-1/2"	38-1/2"	29"
D	29"	29"	21"
X	30"	30"	21"
Y	49"	49"	37"
Z	67"	67"	44-1/4"

OPTIONAL ACCESSORIES

- A. Wood Nooks
- B. Bi-Fold Glass Doors
- C. Fan (WCT3800 models only)
- D. Drain Pan and Heat Deflection Hood available for WRE3800 models



Arched Wood Nook



Under Hearth Wood Nook



Approved for use with European Copper and Chimney Classics chimney tops, which improve performance and add an elegant touch.

On the cover: WRT6800 shown with Ivory Stacked Mosaic Masonry™ Brick

IMPORTANT NOTES:

As with any heating appliance, fireplace or stove, this appliance is extremely hot during operation. Read and understand all operating instructions before using this appliance. For further information, consult your dealer.

Local conditions, such as elevation, wind, vent configuration and choice of fuel will affect overall appearance of the fire and heating performance. Performance can also vary with home design and insulation, climate, condition and type of fuel used, appliance location, burn rate, accessories chosen, chimney installation and how the appliance is operated.

Diagrams, illustrations and photographs are not to scale—consult installation instructions. Product designs, materials, dimensions, specifications, colors and prices are subject to change or discontinuance without notice.



© 2014 Innovative Hearth Products

785546M 10/14

Visit us online



SuperiorFireplaces.us.com

