



PRODUCT SPECIFICATIONS
 Montpelier Non-Catalytic Wood Insert



MINIMUM HEARTH DIMENSIONS

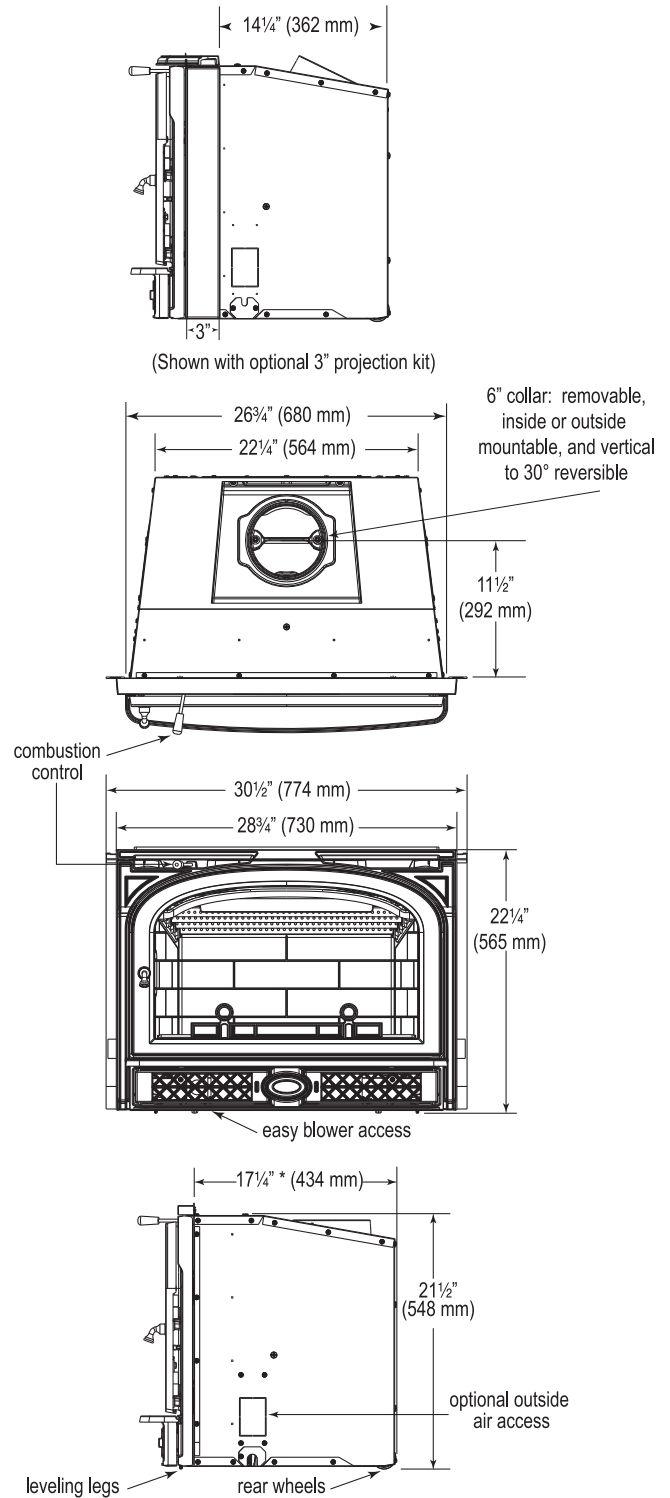
Height: 21-1/2"
 Width Front: 27"
 Depth: 17-1/2" (14-1/4" with 3" Projection Kit)
 Width Rear: 22-1/2" (at Insert Depth)

TECHNICAL INFORMATION

EPA Emissions Rating: 3.0 grams/hr
 EPA Rated Heat Output: 10,100 - 27,550 BTU/hr
 Maximum Heat Output: 50,000 BTU/hr
 Area Heated: 1,500 sq. ft.
 Length of Wood Splits: 18" (460mm) upto 22" (560mm)
 Fuel Capacity: 30lbs (13.5 kg)
 Loading: Front
 Flue Size: 6" (150mm) round
 Fireplace Insert Weight: 335lbs (152 kg)
 Flue Exit Position: Top (vertical or 30° offset)
 Blower Rating: 150 cfm (115V, 60Hz)

FIELD INSTALLED ACCESSORIES

Choice of Classic Black or two enamel colors:
 Biscuit and Ebony Black
 3" Projection Kit #M3PKCB
 Seven Surround style options



A Brand of Monessen Hearth Systems Co.
 149 Cleveland Drive, Paris, Kentucky 40361
www.vermontcastings.com

To avoid personal injury or property damage, the product described by this brochure must be installed, operated and maintained in strict compliance with the instructions packaged with the product and all applicable building or fire codes. Contact local building or fire officials about restrictions and installation inspection requirements. All photographs and drawings on this brochure are for illustrative purposes only and are not intended for, nor should they be used as a substitute for the instructions packaged with the unit. Appearance and specifications of the product are subject to change without notice. © 2010 Monessen Hearth Systems Co.