

MULTI-VIEW SERIES

CUSTOM/PRO SERIES WOOD BURNING FIREPLACES

Superior[™]
FIREPLACES
Our name is our promise.



TRADITIONAL

Our Multi-View offering combines the ambiance of a wood burning fireplace with flexibility, built-in value, beauty and versatility for most any application.



FEATURED WRT40PF (Peninsula) fireplace with white smooth refractory panels

EXCLUSIVE FEATURES

- 🔥 Available in Corner (WRT40C/WCT40C), Peninsula (WRT40PF) and See Through (WRT35ST/WRT40ST) models
- 🔥 Radiant smooth-faced (WRT models) or circulating louvered (WCT models)
- 🔥 Massive smoke dome for reliable operation
- 🔥 Insulated firebox for increased performance in colder climates (available in select models)
- 🔥 White refractory panels
- 🔥 Heavy duty log grate
- 🔥 Includes mesh fire screens
- 🔥 Outside air kit available for maximum performance
- 🔥 Durable textured powder coat finish
- 🔥 Uses IHP 8 DM (WRT40C/WCT40C/WRT35ST) and IHP 12 DM (WRT40PF/WRT40ST) (1700°) double wall air cooled wood burning chimney
- 🔥 Uses IHP 8 HT (WRT40C/WCT40C/WRT35ST) and IHP 12 HT (WRT40PF/WRT40ST) (2100°) heavy gauge double wall air cooled wood burning chimney, recommended for cold climates (required for Canada)
- 🔥 20 year limited warranty



FEATURED WRT35ST (See Through) fireplace with white stacked refractory panels

GLASS DOORS

(Optional)



Bi-fold tempered glass doors are expertly crafted and finished in three options.



Black



Brushed Brass



Platinum

ADDITIONAL ACCESSORIES

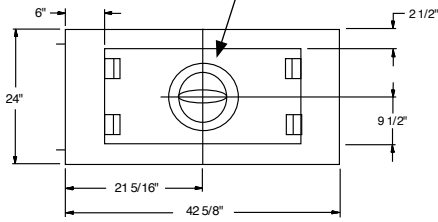
A. Outside air kit

B. Fan (WCT louvered model only)

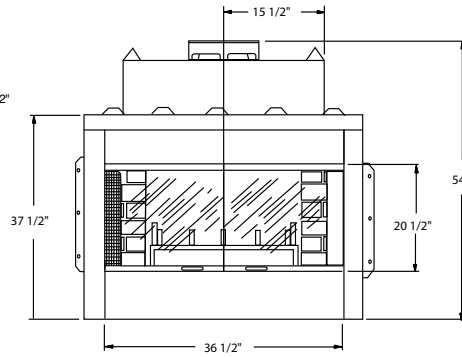
FRAMING SPECIFICATIONS

TOP

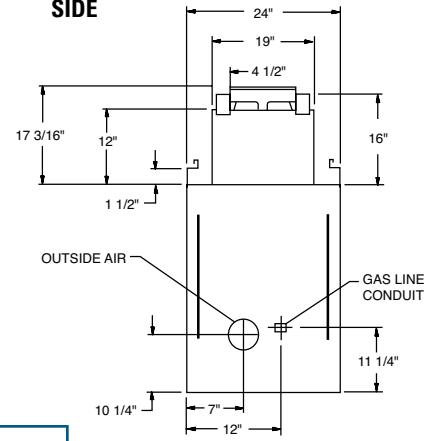
WRT35ST 8" IDx12-3/8" OD, WRT40ST 12" IDx15-3/8" OD wood burning chimney pipe



FRONT



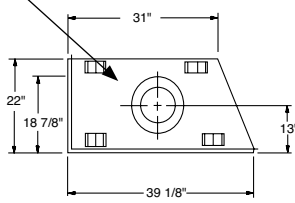
SIDE



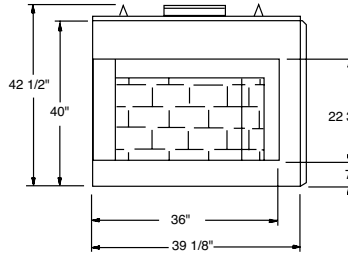
SEE THROUGH FIREPLACE

Uses IHP 8" ID/12-3/8" OD wood burning chimney pipe

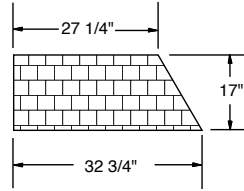
TOP



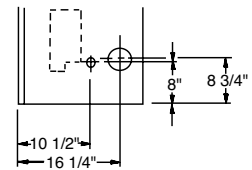
FRONT



HEARTH DIMENSIONS

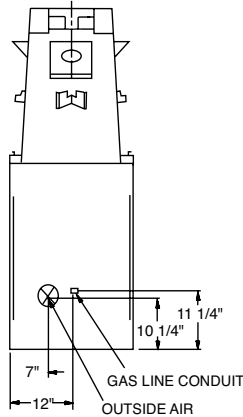


SIDE

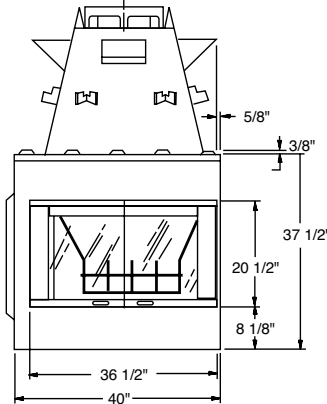


CORNER FIREPLACE

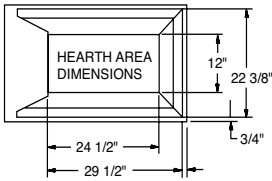
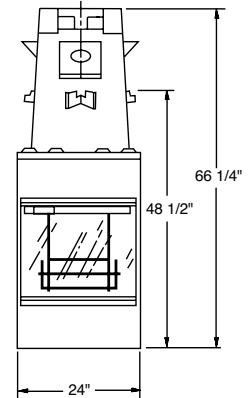
BACK SIDE



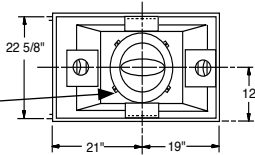
FRONT



EXPOSED SIDE



TOP



Uses IHP 12" ID/15-3/8" OD wood burning chimney pipe

PENINSULA FIREPLACE

IMPORTANT NOTES:

As with any fireplace, this appliance is extremely hot during operation. Read and understand all operating instructions before using this appliance. For further information, consult your dealer.

Local conditions, such as elevation, wind, vent configuration and choice of fuel will affect overall appearance of the fire and heating performance. Performance can also vary with home design and insulation, climate, condition and type of fuel used, appliance location, burn rate, accessories chosen, chimney installation and how the appliance is operated.

Diagrams, illustrations and photographs are not to scale—consult installation instructions. Product designs, materials, dimensions, specifications, colors and prices are subject to change or discontinuance without notice.

ON THE COVER: WCT40CL (Corner Left) fireplace with white stacked refractory panels



Approved for use with European Copper and Chimney Classics chimney tops, which improve performance and add an elegant touch.

Visit us online



SuperiorFireplaces.us.com



© 2014 Innovative Hearth Products
785358M 07/14





Obadiiah's

1-800-968-8604

WOODSTOVES

Serving you online since 1999