

HZ54E Gas Fireplace

Contemporary Collection

Model	HZ4E-NG	HZ54E-LP
Fuel Type	Natural Gas	Propane Gas
Minimum Supply Pressure	5" W.C. (1.25 kPa)	12" W.C. (2.98 kPa)
Manifold Pressure - High	3.5" W.C. (0.87 kPa)	10" W.C. (2.49 kPa)
Manifold Pressure - Low	1.6" W.C. (0.40 kPa)	6.4" W.C. (1.59 kPa)
Orifice Size	#30 DMS	#49 DMS
Minimum Input Altitude 0-4500 ft. (0-1372m)	29,000 BTU/h (8.50 kW)	30,000 BTU/h (8.79kW)
Maximum Input Altitude 0-4500 ft. (0-1372m)	41,500 BTU/h (12.16 kW)	37,000 BTU/h (10.84 kW)
Vent Sizing	5" Inner / 8" Outer	5" Inner / 8" Outer



Approved Venting Systems	
Flex Vent Systems:	FPI AstroCap™ Flex Vent
Rigid Pipe Vent Systems:	Simpson Direct Vent Pro® Selkirk Direct-Temp™ Metal-Fab® Sure Seal

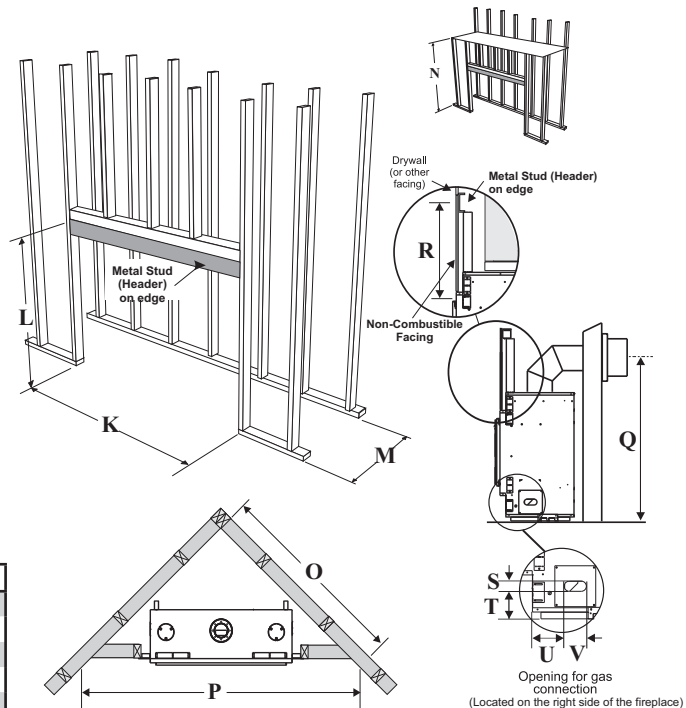
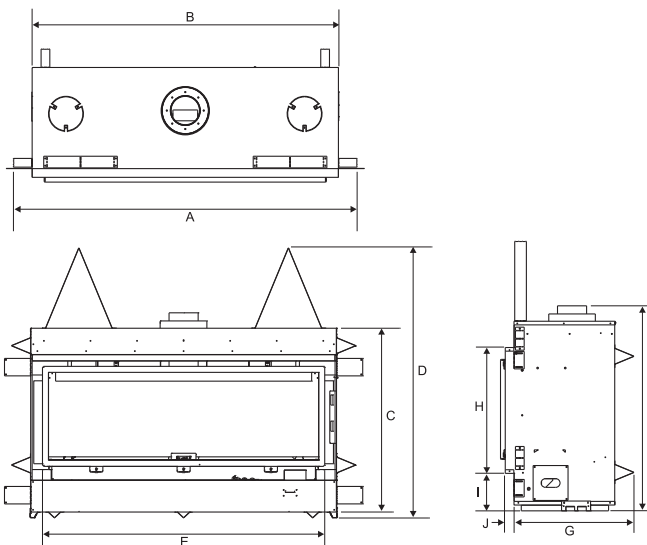
Unit Dimensions:

Unit Dimensions	Description	HZ54E
A	Firebox Width (including standoffs)	59"
B	Firebox Width (excluding standoffs)	52-5/8"
C	Firebox Height (excluding standoffs)	31-5/8"
D	Firebox Height (including standoffs)	46-3/8"
E	Fireplace Opening Width	48-1/2"
F	Firebox Height to Top Vent Termination	35-1/4"
G	Firebox Depth (including standoffs)	20-1/2"
H	Fireplace Opening Height from Bottom Opening to Top Opening	22-3/8"
I	Fireplace Opening Height from Unit Base to Bottom Opening	5-11/16"
J	Depth from Opening to Side Front Edge	1-1/2"

Framing Dimensions:

Framing Dimensions	Description	HZ54E
K	Framing Width	60"
L	Framing Height	46-5/8"
M	Framing Depth*	22"
N	Minimum Height to Combustibles	51"
O	Corner Wall Length	72"
P	Corner Facing Wall Width	101-7/8"
Q	Vent Centerline Height	44"
R	Non-combustible Facing Height	20"
S	Gas Connection Opening Height	1-1/2"
T	Gas Connection Height	4"
U	Gas Connection Inset	7-1/4"
V	Gas Connection Opening Width	3-1/4"

* Framing depth measurement is noted with the side nailing strips set as far forward on firebox as possible. The side nailing strips can be adjusted back up to 1" to allow for varying thicknesses in non-combustible material & wall finishes.



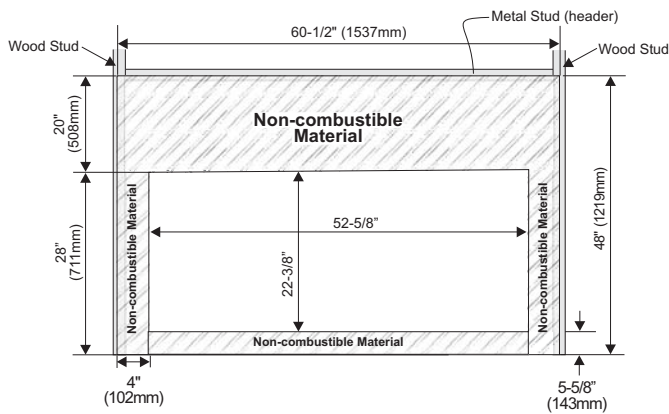
Faceplate & Door Frame Dimensions:

Dimensions	Description	HZ54
V	Faceplate Width	56-11/16"
W	Faceplate Height	25-1/8"
X	Door Frame Width	49-3/16"
Y	Door Frame Height	17-5/8"
Z1	Viewing Area Width	45-3/16"
Z2	Viewing Area Height	13-5/8"

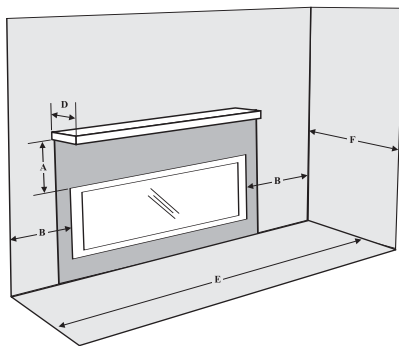
HZ54E Gas Fireplace

Contemporary Collection

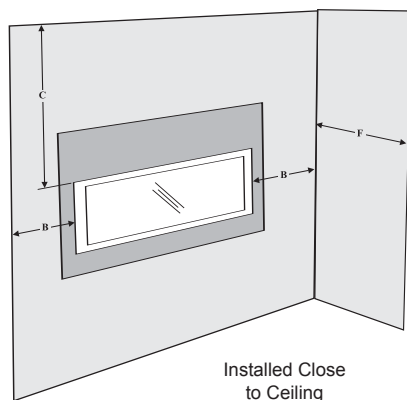
Non-Combustible Requirements:



Clearance Requirements:



Installed Close to Floor

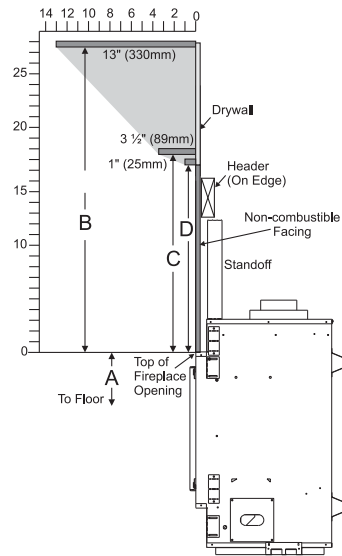


Installed Close to Ceiling

Clearance:	Dimension	Measured From:
A: Mantel Height	20"	Top of Fireplace opening (1" deep)
B: Sidewall	4"	Side of fireplace opening
C: Ceiling	40-7/8"	Top of fireplace opening
D: Mantel Depth	13"	30" above fireplace opening
E: Alcove Width	83"	Sidewall to Sidewall (Minimum)
F: Alcove Depth	36"	Front to back wall (Maximum)

Combustible Mantels

Because of the extreme heat this fireplace emits, the mantel clearances from top of the louvers are shown in the diagram below. Mantel may be installed anywhere in the shaded area or higher.



Mantel Clearances	From Top of Fireplace Opening
A	28-1/8"
B	30"
C	21"
D	20"

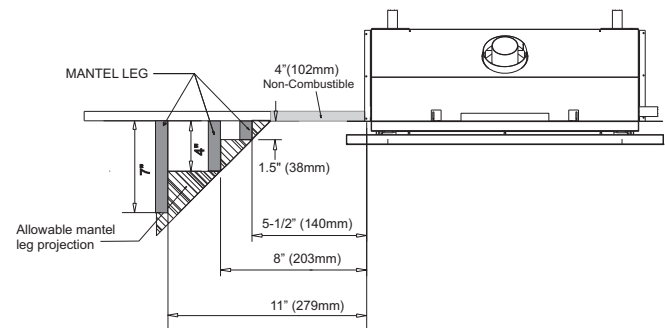
Note:

Non-combustible mantel may be installed at a lower height if the framing is made of metal studs covered with a non-combustible board.

Ensure the paint that is used on the mantel and the facing is "heat resistant" or the paint may discolor.

Mantels Leg Clearances

Combustible mantel leg clearances as per diagram below:



FPI Direct Vent System (Flex)

These venting systems, in combination with the HZ54E, have been tested and listed as a direct vent system by Warnock Hersey. The location of the termination cap must conform to the requirements in the Vent Terminal Locations diagram from the "Exterior Vent Termination Locations" section.

FPI Kit #	Length	Contains:
#946-615	4 Feet	<ol style="list-style-type: none"> 1) 8" flexible liner (Kit length) 2) 5" flexible liner (Kit length) 3) spring spacers
#946-618	6 Feet	<ol style="list-style-type: none"> 4) thimble 5) AstroCap termination cap 6) screws
#946-616	10 Feet	<ol style="list-style-type: none"> 7) tube of Mill Pac 8) plated screws 9) S.S. screws #8 x 1-1/2" drill point 10) vinyl siding standoff

Rigid Pipe Venting Systems

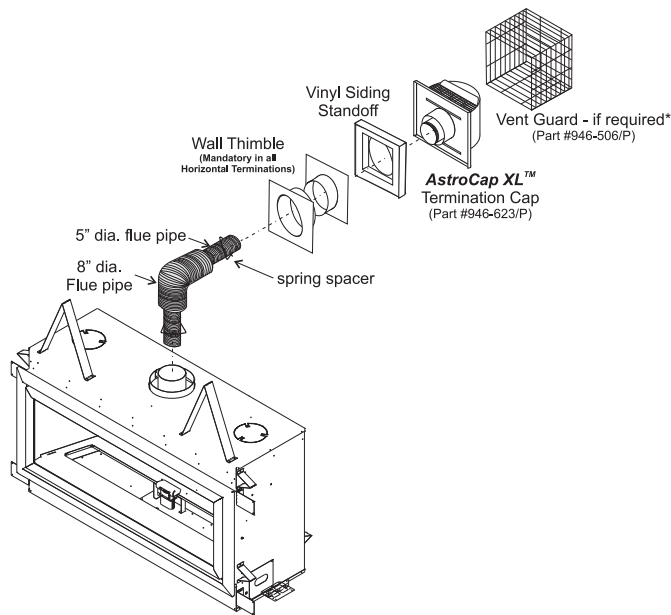
Rigid Pipe Vent Systems offer a complete line of component parts for installation of both horizontal and vertical installations. Many items are offered in decorative black, as well as galvanized finish.

The minimum components required for a basic Horizontal Termination are:

- 1 AstroCap XL Termination Cap
- 1 90° Elbow
- 1 Rigid Pipe Adaptor
- 1 Wall Thimble
- 1 Length of rigid pipe to suit wall thickness

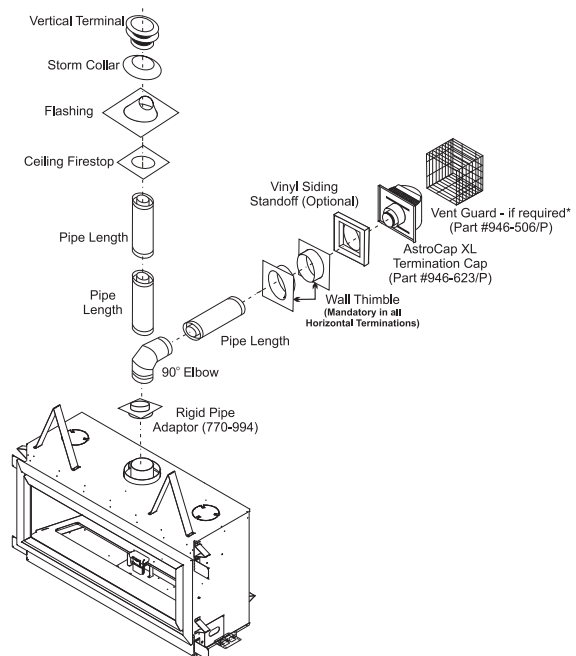
The minimum components required for a basic Vertical Termination are:

- 1 Vertical Termination Cap
- 1 Rigid Pipe Adaptor
- 1 Lengths of pipe to adequately penetrate roof
- 1 Ceiling Firestop
- 1 Flashing
- 1 Storm Collar



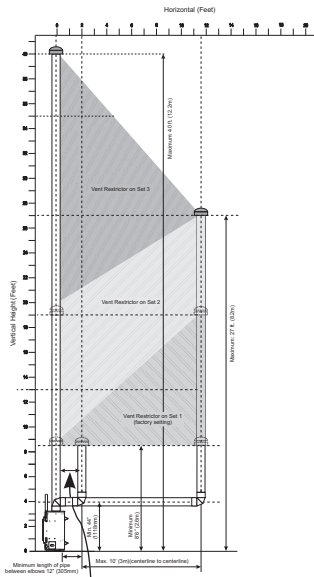
Wall thickness is measured from the back standoffs to the inside mounting surface of termination cap. For siding other than vinyl furring strips may be used, instead of the vinyl siding standoff, to create a level surface to mount the vent terminal. The Terminal must not be recessed into siding. Measure the wall thickness including furring strips.

If a Vinyl Siding Standoff is required (it must be used with vinyl siding), measure to outside surface of wall without siding and add 2 inches.



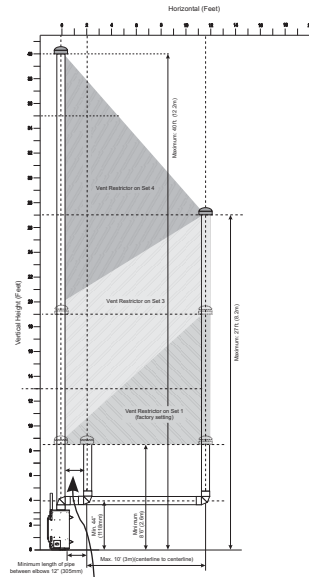
HZ54E Gas Fireplace

Vertical & Horizontal Terminations: HZ54E-NG



Please note min. 1 foot between 90° elbows is required.

Vertical & Horizontal Terminations: HZ54E-LP



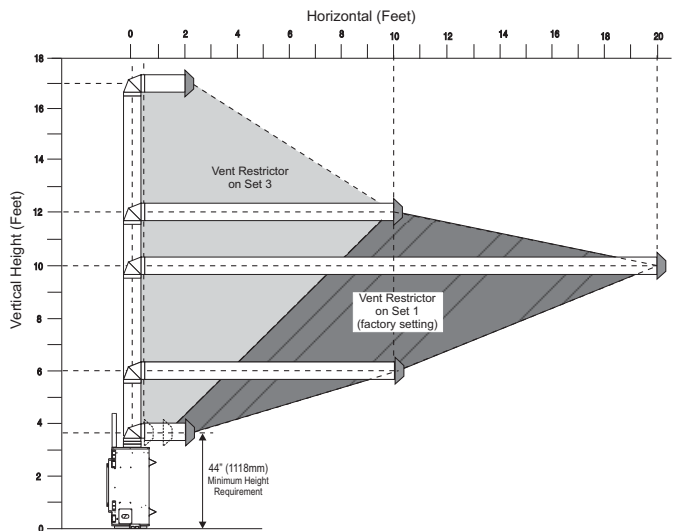
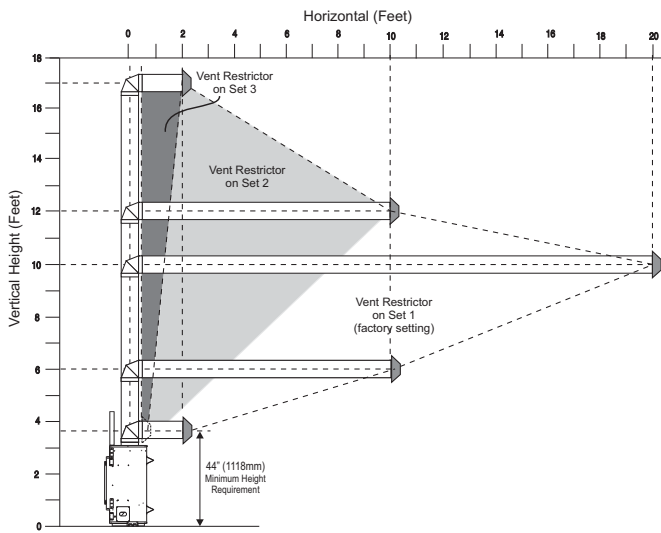
Please note min. 1 foot between 90° elbows is required.

The shaded area in the diagram shows all allowable combinations of straight vertical and offset to vertical terminations, using two 90° elbows, with Rigid Pipe Venting Systems for Natural Gas. Two 45° elbows equal to one 90° elbow. Maximum of four 45° elbows allowed.

VENTING ARRANGEMENTS ALLOWABLE HORIZONTAL TERMINATIONS FOR HZ54/ HZ54E-NG

The diagram shows all allowable combinations of vertical runs with horizontal terminations, using one 90° (two 45° elbows equal one 90° elbow).

Note: Must use optional rigid pipe adapter (Part# 770-994) when using Rigid Pipe Venting Systems.



VENT RESTRICTOR SETTING:

Vent restrictor factory set, no adjustment required unless otherwise indicated.

Refer to the "Vent Restrictor Position" section for details on how to change the vent restrictor from the factory setting of Set 1 to Set 2 or Set 3 if required.

Horizontal Venting with Two (2) 90° Elbows

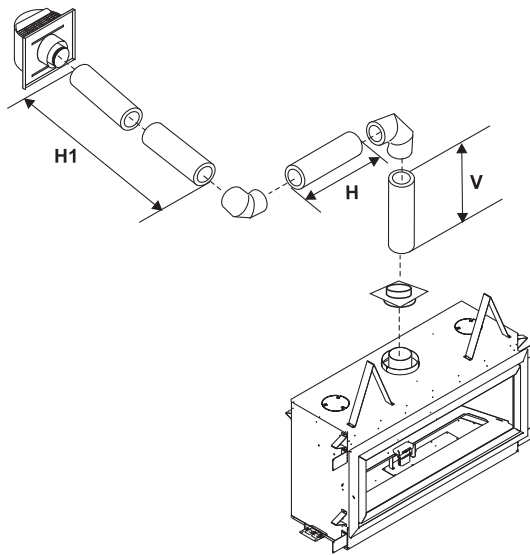
One 90° elbow = Two 45° elbows.

Option	V	H + H1
A)	2' Min.	4' Max.
B)	3' Min.	6' Max.
C)	4' Min.	8' Max.
D)	5' Min.	9' Max.
E)	6' Min.	10' Max.

With these options, maximum total pipe length is 30 feet with minimum of 6 feet total vertical and maximum 10 feet total horizontal.

Please note minimum 1 foot between 90° elbows is required.

VENT RESTRICTOR SETTING:
Vent restrictor factory set at Set 1, no adjustment required.

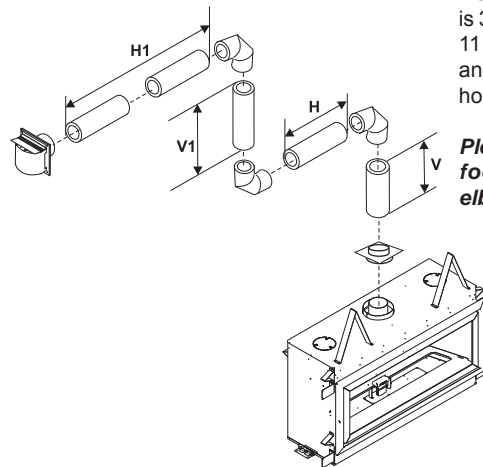


Horizontal Venting with Three (3) 90° Elbows

One 90° elbow = Two 45° elbows.

Option	V	H	V + V1	H + H1
A)	2' Min.	1' Max.	3' Min.	2' Max.
B)	2' Min.	2' Max.	5' Min.	4' Max.
C)	3' Min.	2' Max.	7' Min.	5' Max.
D)	4' Min.	3' Max.	9' Min.	6' Max.
E)	5' Min.	4' Max.	10' Min.	7' Max.
F)	6' Min.	6' Max.	11' Min.	9' Max.

VENT RESTRICTOR SETTING:
Vent restrictor factory set at Set 1, no adjustment required.



With these options, max. total pipe length is 30 feet with min. of 11 feet total vertical and max. 9 feet total horizontal.

Please note min. 1 foot between 90° elbows is required.

Vertical Venting with Two (2) 90° Elbows

One 90° elbow = Two 45° elbows.

Option	V	H + H1	V + V1
A)	2' Min.	2' Max.	4' Min.
B)	3' Min.	4' Max.	6' Min.
C)	4' Min.	5' Max.	7' Min.
D)	5' Min.	6' Max.	8' Min.
E)	6' Min.	8' Max.	9' Min.

With these options, max. total pipe length is 30 feet with min. of 9 feet total vertical and max. 8 feet total horizontal.

Please note min. 1 foot between 90° elbows is required.

VENT RESTRICTOR SETTING:
Vent restrictor factory set at Set 1, no adjustment required.

