



1-800-968-8604

*Extinguishing mediocrity online since 1999*

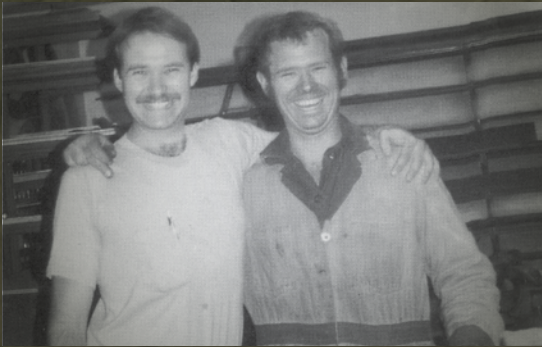


7100 EPA WOOD FIREPLACE

**QUADRA-FIRE**<sup>®</sup>  
NOTHING BURNS LIKE A QUAD



# PERFORMANCE FROM THE BEGINNING



Founders Alan Trusler and Dan Henry spent countless nights in the lab, determined to harness the powerful force of fire in ground-breaking new ways. Over the years, Quadra-Fire® developed precision hearth designs. Stunningly strong and detailed, with powerful and efficient performance to match, the tradition lives on through this wood fireplace.

## WHY QUADRA-FIRE

For more than 30 years, Quadra-Fire has put performance and easy operation above all else. Today these ideals are alive and vibrant, blending our past with our present.

## WHY WOOD

**IT'S RENEWABLE** - Using renewable energy sources is more important than ever and wood is 100 percent renewable. When you burn wood, you are also completing the last step of the natural carbon cycle of trees, resulting in a zero net carbon impact on the environment.

**IT'S COST-EFFECTIVE** - Heating with wood costs less than heating with electricity, liquid propane or heating oil, especially if you harvest wood yourself.

As the fire ignites, it remains clear: **NOTHING BURNS LIKE A QUAD.**



**EXCLUSIVE TECHNOLOGIES** Innovative technology is at work in every Quadra-Fire. These advancements make it possible to burn wood more effectively, efficiently, and with more control.

### FOUR-POINT BURN SYSTEM



The patented Quadra-Fire Four-Point Burn System produces intense rolling flames. Four combustion cycles extend the heat, enhance the fire and increase efficiency for long-lasting, proven performance.

### AUTOMATIC COMBUSTION CONTROL



Automatic Combustion Control (ACC) is an advanced heat-management technology from Quadra-Fire. ACC feeds the fire with air when it's needed most—for precision start-up and consistent, extended burns.



# 7100 WOOD FIREPLACE



7100 SHOWN WITH MISSION HILL FRONT AND SATIN NICKEL DOOR

Peak BTU/hr Output <sup>1</sup> <b>92,400</b>	Heating Capacity <sup>2</sup> <b>1,200-3,000</b> sq ft	Max. Burn Time <sup>3</sup> <b>16 hrs</b>	Efficiency <sup>4</sup> <b>77.6%</b>	Emissions <sup>5</sup> <b>3.1 g/hr</b>	Firebox <b>3.4 cu ft</b>	Recommended Log Length <b>24"</b>	Blower System <b>280 cfm</b>	Weight <b>670lb</b>
---	--	--	---	---	-----------------------------	---	---------------------------------	------------------------

## FRONT OPTIONS



VALLEY FORGE



MISSION HILL



ROLLING MEADOWS



# OPTIONS

## DOOR



Doors come standard on the appliance; choose your color.

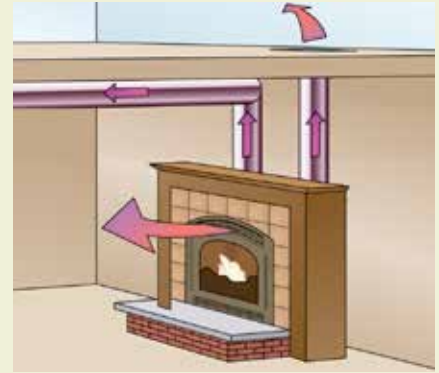
- » BLACK
- » SATIN NICKEL
- » GOLD

## FIRESCREEN

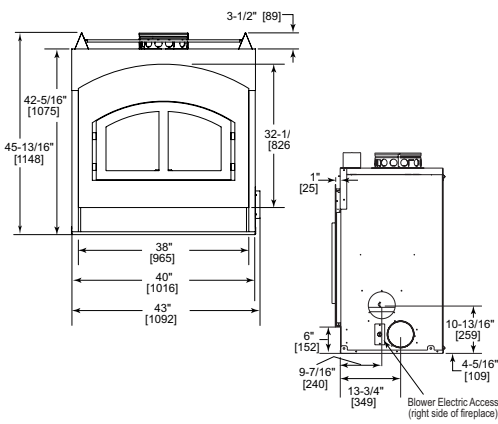


## HEAT ZONE SYSTEM

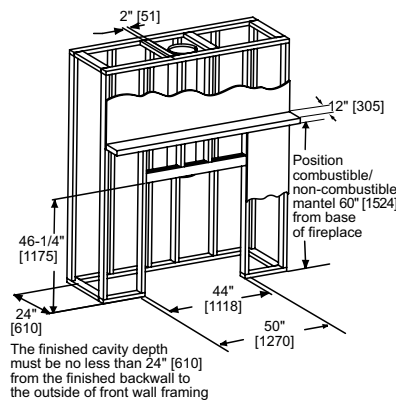
The 7100 can supplement your home heating with two optional Heat Zone systems. These systems allow you to route heated air to other areas of the home.



## SPECIFICATIONS



## FRAMING DIMENSIONS AND CLEARANCES



### ENCLOSED AREA:

- Appliance to back wall ..... 1"
- Appliance to sidewall ..... 1"
- Duct boots to framing ..... 0"
- Top standoffs to header..... 0"

### EXPOSED SURFACES:

- Faceplate to sidewall..... 16"
- Heat zone air grilles to ceiling ..... 12"

### MANTEL:

- Minimum mantel height (from base).....60"
- Maximum mantel depth..... 12"

### MIN. FLOOR PROTECTION:

20" deep by 41" wide, centered in front of fireplace



Thank you from everyone at Quadra-Fire

Available From:



www.quadrafire.com | 800-926-4356

### Limited Lifetime Warranty<sup>5</sup>

The strongest in the industry, Quadra-Fire provides a limited lifetime warranty on the most important aspects: firebox and heat exchanger.

- facebook.com/QuadraFire
- twitter.com/QuadraFire
- youtube.com/QuadraFirePower

<sup>1</sup> BTU: 1st hour output uses high burn efficiency number. BTU will vary depending on the type of fuel used and moisture content of the fuel. <sup>2</sup> Heating capacity (in square feet) is a guideline only and may differ due to climate, building construction and condition, amount and quality of insulation, location of the heater, air movement in the room and type of wood used. <sup>3</sup> Actual burn times will vary based on how the appliance is operated, load size, moisture content and type. <sup>4</sup> Weighted average LHV (Low Heating Value) efficiency. <sup>5</sup> For full warranty details go to www.quadrafire.com.

**IMPORTANT - READ BEFORE YOU INSTALL!** - Refer to the Owner/Installation Manual for complete clearance requirements and specifications. The images and descriptions in this brochure are provided to assist you in product selection only. Fireplace, stove and insert surfaces get extremely HOT and can cause burns if touched. Keep a safe distance away. To learn more visit www.quadrafire.com/fireplacesafety. Quadra-Fire is a registered trademark of Hearth & Home Technologies. Product specifications and pricing subject to change without notice.