



*35" model shown with standard black interior*



*40" model shown with Traditional Buff refractory liner*

Superior® B-Vent fireplaces, a decorative fireplace that is the perfect choice for areas where ambiance is your desire.





SLBV-35



SLBV-40

## STANDARD FEATURES

Dramatic louverless design.

Flex connector with shut off.

Choice of 35" or 40" framed opening sizes available in natural gas or propane.

Wiring for optional wall switch.

Choose from Millivolt or energy saving battery backed up intermittent pilot ignition. All models have hi/lo flame and heat control and will work during a power outage.

Oak-style logs, burning embers and lava rock.

Top vent only models using 4" (SLBV-35) or 5" (SLBV-40) Type B Double-Wall vent pipe.

20-year limited warranty.

## OPTIONAL FEATURES

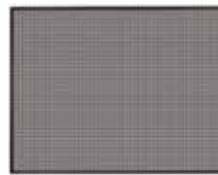
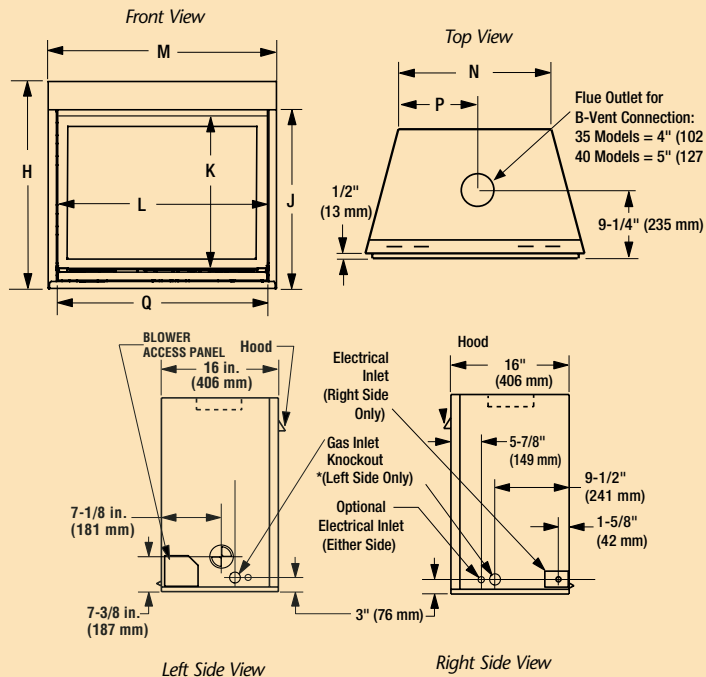
\*Screen panel kits.

Ceramic fiber brick liner kit in Traditional Buff.

Wireless remote control or wall mounted timer control.

Outside combustion air kit.

Style view door.



\*Screen panel kit



\*Style view door

### DIMENSIONS

Inches (millimeters)

	H	J	K	L	M	N	P	Q
SLBV-35	32-1/4 (819)	28-1/8 (714)	23-1/4 (590)	32 (813)	35-1/4 (895)	25 (635)	12-1/2 (317)	33 (838)
SLBV-40	37-1/4 (946)	33-1/8 (841)	28-1/4 (718)	37 (940)	40-1/4 (1022)	30 (762)	15 (381)	38 (965)

### FRAMING DIMENSIONS

Inches (millimeters)

	WIDTH	HEIGHT	DEPTH
SLBV-35	35-1/4 (895)	35-1/4 (895)	16 (406)
SLBV-40	40-1/4 (1022)	40-1/4 (1022)	16 (406)

### BTU/HR CHART (INPUT)

	NATURAL (HIGH-LOW)		PROPANE (HIGH-LOW)
SLBV-35	17,000-13,000	SLBV-35	17,000-14,000
SLBV-40	22,000-17,000	SLBV-40	20,000-15,500

The SLBV is a decorative product and is not intended for use as a heating appliance.

\*Screen panel kit provides a barrier to prevent direct contact with hot glass surface.

#### IMPORTANT NOTES:

This appliance is extremely hot during operation. Read and understand all operating instructions before using this appliance. For further information, consult your dealer.

Local conditions, such as elevation, wind, vent configuration and choice of fuel will affect overall appearance of the fire and performance. Performance can also vary with home design and insulation, climate, condition and type of fuel used, appliance location, burn rate, accessories chosen, chimney installation and how the appliance is operated.

Diagrams, illustrations and photographs are not to scale - consult installation instructions. Product designs, materials, dimensions, specifications, colors and prices are subject to change or discontinuance without notice.

Listed to ANSI Z21.50 standards.

Consult your distributor for local fireproof code information.



©Innovative Hearth Products 2013  
[www.lennoxhearthproducts.com](http://www.lennoxhearthproducts.com)

785308M-A 03/13



Report Number : 100017854



100% recycled