



HAMPTON[®]

CAST IRON FIREPLACES

WWW.WOODSTOVES.NET



why choose Hampton?

Over 35 years ago, I founded this company with a mission to produce the finest fireplace products available anywhere. The Hampton line is the result of millions of dollars in product development, years of research and listening to what consumers are looking for in a fireplace: timeless styling, exceptional quality and a way to cut home heating costs.

Hampton Quality

The rich, porcelain, enamel finish of each Hampton cast iron product is a work of art. Select the tasteful glass grille, one of three fashionable colors or side shelves, to create your own Hampton.

Cut Fuel Bills in Half

Turn your furnace down and enjoy comforting Hampton heat in the living areas you spend time in. Have peace of mind, even during power outages. All Hampton products continue to operate without electricity.



Lifetime Warranty

I am so confident in the quality workmanship, the finest materials and durable heavy-duty construction invested in each and every product, that I offer a Limited Lifetime Warranty. I know that you will be as proud of your Hampton as I am – I guarantee it.

Robert Little
Founder & CEO





index

Hampton Wood Inserts	
HI400	4
HI300 & HI200	6
Hampton Wood Stoves	
H300 & H200	8
Hampton Pellet Insert & Stove	
GCI60, GC60	10
Hampton Gas Stoves	
H35, H27, H15	12
Technical specs	14



Obadiah's
 WWW.WOODSTOVES.NET

Hampton® Hybrid Catalytic Wood Insert HI400



Hampton HI400 wood insert in timberline brown enamel finish.

Style meets technology

This hybrid catalytic wood insert by Hampton completes the look of any room. With modern technology and traditional design, you get the best of both worlds – without sacrificing style or efficiency. The HI400 is the next generation of wood inserts, with the ability to heat homes up to 2600 square feet while meeting strict EPA standards.

The hybrid catalytic system allows the fuel to burn at a slower rate, delivering 14 or more hours of heat* with a single load of wood.

Fuel is utilized to its full potential with only 1.8 g/hr. of emissions and 86.1% efficiency!

Boonah's
WWW.WOODSTOVES.NET



Hampton HI400 wood insert in black finish.

Specifications	HI400
Maximum BTU*	77,000
Optimum Efficiency	86.1%
Max. log size	22"
Emissions (grams/h)	1.8
Firebox size	2.6 cu. ft.

Min. Fireplace Opening	
Width (front)	28-13/16"
Height	21-3/4"
Depth	19"

* Length of burn time and BTU range depend on type of wood, moisture content, climate conditions and installation.

Standard Features

- EPA certified
- Hybrid catalytic technology
- Single lever bypass damper
- Single rod draft control
- Airwash system
- Brick-lined firebox
- Cast iron door
- Ceramic glass
- Digital catalytic temperature sensor
- Burn time: up to 14 hrs*
- 6" flue

Options

- Black or timberline brown enamel finish
- Two speed blower
- Surrounds in two sizes
- Cast grille
- Backing plates in two sizes
- Stainless steel liner kits
- Flue connectors
- Wrap insulation kits



Hampton® Wood Inserts

HI300 & HI200



Hampton HI300 wood insert in timberline brown enamel finish.

High Efficiency Heat

Hampton cast wood inserts install easily into your existing fireplace adding the timeless beauty of cast iron while eliminating drafts from an open fireplace. These fireplace inserts can deliver up to 75,000 BTU of high efficiency heat, circulating comforting warmth to the living areas you spend time in. Decrease your heating bills and increase the value of your home with one of two inserts sized to fit your fireplace and your lifestyle.

Woodstove's
WWW.WOODSTOVES.NET



Hampton HI200 wood Insert in metallic black finish.



HI300 with oversize faceplate in black finish.



HI200 in timberline brown enamel finish.



Specifications	HI300	HI200
Maximum BTU*	75,000	55,000
Optimum Efficiency	77.0%	77.7%
Max. log size	18"	18"
Emissions (grams/h)	3.44	3.0
Firebox size	2.3 cu. ft.	1.4 cu. ft.

Min. Fireplace Opening	HI300	HI200
Width (front)	25"	25"
Height	21-1/2"	19-5/8"
Depth	17-1/2"	15-1/16"
Depth (with offset flue)	--	17-11/16"

* Length of burn time and BTU range depend on type of wood, moisture content, climate conditions and installation.

Standard Features

- EPA Certified
- Non-catalytic technology
- Single rod draft control
- Airwash system
- Brick-lined firebox
- Cast iron door
- Cast grille (HI200)
- Ceramic glass
- Burn time: up to 8 hrs*
- 6" flue

Options

- Black or timberline brown enamel finish
- Two speed blower
- Surrounds in two sizes (HI300)
- Cast grille (HI300)
- Power outlet conversion (HI300)
- Standard or offset flue adaptor (HI200)
- Stainless steel liner kit
- Flue connectors
- Wrap insulation kits

badiana's
WWW.WOODSTOVES.NET



Hampton® Wood Stoves

H300 & H200



Hampton H200 medium wood stove in charcoal gray finish.

Comfort and Convenience

Convenient and efficient, these wood stoves will keep your home comfortable all year – even during power outages. Add a two speed blower to circulate even more heat to every part of your room. All Hampton wood products are certified by the Environmental Protection Agency (EPA) and meet or exceed the strictest of clean air standards. Available in two sizes including a hearth mount version, Hampton wood stoves work hard and look great!

Indian's
WWW.WOODSTOVES.NET



Hampton H300 large wood stove shown with optional side shelves in timberline brown enamel finish.



H300 shown in charcoal gray finish.



H200 shown with side shelves in timberline brown enamel finish.



H200 shown with short cast legs in timberline brown enamel finish.

Specifications	H300	H200
Maximum BTU*	45,500	38,800
Optimum Efficiency	83.6%	83.9%
Max. log size	18"	16"
Emissions (grams/h)	4.2	3.9
Firebox size	1.71 cu. ft.	1.34 cu. ft.
Burn time (Typical)*	up to 8 hrs	up to 6 hrs

* Length of burn time and BTU range depend on type of wood, moisture content, climate conditions and installation.

Standard Features

- EPA Certified
- Non-catalytic technology
- Single rod draft control
- Airwash system
- Brick-lined firebox
- Cast iron door
- Cast grille
- Ceramic glass
- Standard legs
- Top or rear vent
- 6" flue
- Ash drawer (H300)
- Front and side door loading (H300)
- Cast iron cooktop surface (H300)

Options

- Charcoal gray or timberline brown enamel finish
- Matching side shelves (set of two)
- Short cast legs
- Two speed blower
- Outside air adaptor (use with standard legs only)
- Ash drawer (H200 - use with standard legs only)
- Stainless steel liner kits
- Wrap insulation kits



Hampton® Pellet Insert & Stove GCI60 & GC60



Hampton GCI60 pellet insert in metallic black finish with optional ceramic log set.

The latest additions to the Hampton Collection are the Cast Iron Biomass Pellet Stove and Insert. These two environmentally-friendly heaters combine all of the best features of traditional cast iron with the latest developments in alternative fuel technology. Both the freestanding pellet stove (GC60) and fireplace insert (GCI60) can burn a variety of pellet fuels (wood, corn, wheat & barley) at maximum efficiencies for very cost effective home heating. The Hampton Pellet Stove and Insert are designed to meet the strictest clean air standards while requiring little maintenance.

Woodstove's
www.woodstoves.net



Hampton GC60 pellet stove in charcoal gray finish with optional ceramic log set.

Specifications	GCI60	GC60
Maximum BTU*	55,000	55,000
Optimum Efficiency	83.5%	76.6%
Emissions (grams/h)	1.0 g/hr	2.0 g/hr
Fuel capacity (hopper size)	60 lbs	60 lbs
Burn time (Typical)	up to 36 hrs	up to 36 hrs
Typical sq.ft heated**	up to 2500 sq. ft.	up to 2500 sq. ft.
Weight	500 lbs.	504 lbs.
Max. Power usage (ignitor on)	504 Watt	504 Watt
Operating Power usage	200 Watt	200 Watt
Flue Size	4"	4"
Viewing Area	232 sq. in	232 sq. in

Min. Fireplace Opening	GCI60	GC60
Width (front)	27"	--
Height	23"	--
Depth	16-1/2"	--

* Figure will vary considerably with individual conditions and fuel quality.
 ** Figure will vary considerably with floor plan, house layout / heat loss of the house and quality of pellets used.
 Due to on-going product development, product appearances and specifications are subject to change without notice. These units must be installed by a qualified dealer. Hampton pellet stove/insert have been approved for mobile home installations once certain criteria are met.

Standard Features

- EPA certified
- Ability to burn a variety of pellet fuels - high grade to low grade (wood, corn, wheat & barley)
- Low maintenance burner with agitator rod
- Quick start automatic (400 watt) ignitor with air pump
- Most quiet pellet stove in the industry (40-45 dB at 10 ft. away)
- Concealed, easy-to-use controls with Tri-mode operating system (Manual -Hi/Lo - Auto/Off)
- Advance Air Wash System for cleaner glass
- Mobile Home Approved
- Standard wall thermostat
- Variable speed blower
- Ash pan
- Cast iron door
- Cast grille
- Ceramic glass
- Cast surround (GCI60)

Options

- Digital programmable wall thermostat
- Ceramic one piece log set
- Oversize filler panel (GCI60)

Woodstoves
 WWW.WOODSTOVES.NET



Hampton® Gas Stoves

H35, H27, H15



Hampton H35 large gas stove with decorative glass grille in timberline brown enamel finish

Outstanding Fire

Hampton's beautiful styling is matched by its unsurpassed fire and log package. Convenient gas flames have been carefully engineered to twist and flicker in yellows and reds around the most realistic logs available anywhere today. In addition, this fire is designed to deliver controllable high efficiency heat with the included Proflame II Remote Control or added option of a wall thermostat. Available in 3 sizes, these gas stoves will heat your home while saving money on your heating bill.



Hampton H27 medium gas stove in charcoal gray finish with decorative glass grille.



H27 in seaside sand enamel finish with decorative glass grille



H27 in timberline brown enamel finish with decorative glass grille



H15 in timberline brown enamel finish with decorative glass grille

Specifications	H35	H27	H15
Natural Gas	Large	Medium	Small
Maximum BTU	30,000	25,000	18,000
Turn down to (BTU)	21,500	18,000	12,700
EnerGuide rating (Canada only)	66.34%	63.13%	63.81%
Efficiency	74%	74%	71%
Propane			
Maximum BTU	29,500	22,000	18,000
Turn down to (BTU)	24,000	17,500	15,500
EnerGuide rating (Canada only)	67.72%	63.13%	63.81%
Efficiency	76%	75%	71%

Standard Features

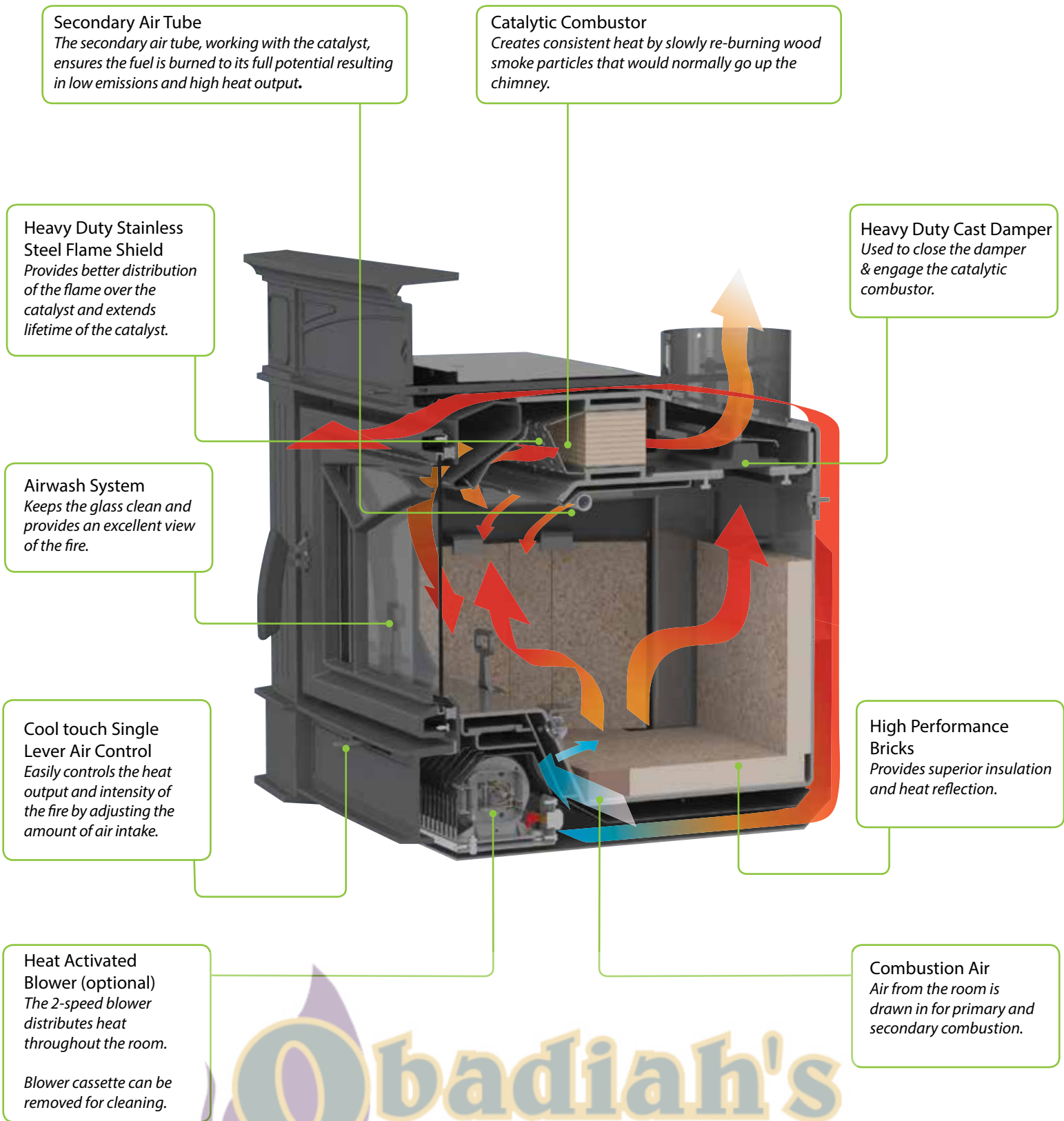
- Natural Gas
- Electronic ignition with SureFire® switch
- Accent light
- ProFlame II remote control (GTMFL)
 - Thermostat
 - Modulating flame adjustment
 - Fan (optional)
 - Light
 - SureFire® switch
- Safety screen
- Cast grille
- Ceramic glass
- Reversible flue for top or rear venting

Options

- Charcoal gray, seaside sand enamel or timberline brown enamel finish
- Brick panels in red or brown (H35)
- Variable speed blower
- Wall thermostat
- AstroCap™ vent system
- Color match vent paint
- Propane conversion kit



How does **Eco-Boost™** technology work?





Maximum BTU*	77,000
Typical sq.ft heated*	up to 2,600 sq. ft.
Optimum Efficiency	86.1%
Max. log size	22 in.
Burn Time (Typical)*	up to 14 hrs
Emissions (grams/hour)	1.8
Firebox size	2.6 cu. ft.
Flue size	6"
Viewing area	250 sq. in.
Load opening	20 in. W x 10 in. H
Temperature activated blower (optional)	125 CFM
Firebox construction	Heavy gauge premium steel
Technology	Eco-Boost™ combustion technology

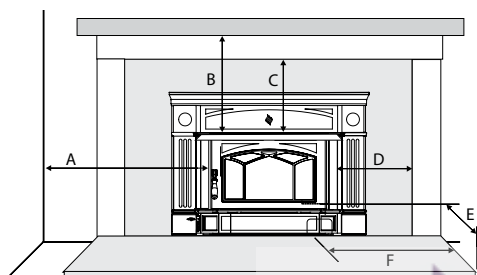
	Width	Height	Depth
Minimum Fireplace Opening	28-13/16"	21-3/4"	19"
Faceplates			
Standard	41-3/8"	26-1/2"	3-3/4"
Oversized	44"	31"	3-3/4"
Optional Backing Plates			
Standard	44"	29-7/8"	
Oversize	48"	33-7/8"	

* Length of burn time and BTU range depend on type of wood, moisture content, climate conditions and installation.

Minimum Clearances to Combustible Materials

The minimum required clearances to combustible materials when installed into a masonry or factory built fireplace are listed below.

Minimum Clearances to Combustible Materials	Adjacent Side Wall (to Side of Door)	Mantel** (to Top of Door)	Top Facing (to Top of Door)	Side Facing (to Side of Door)	Minimum Hearth Extension*	Minimum Hearth Side Extension*
	A	B	C	D	E	F
HI400	12-3/16"	21-5/8"	14"	7-3/8"	US 16" Canada 18"	8"
Measurements A,B,C,D are from Top/Side of Door						



Minimum Hearth Extension for the front (E) and sides (F) are measured from the fuel door opening.

Side and Top facing is a maximum of 1.5" thick.

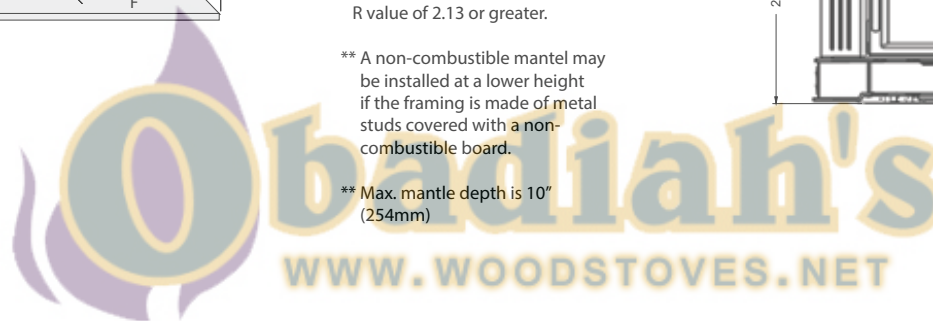
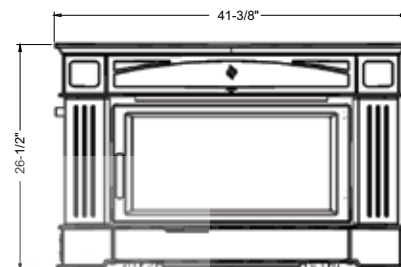
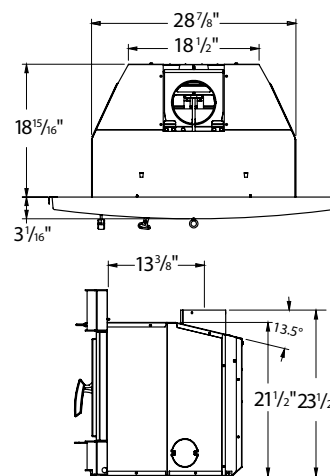
* Side hearth extension for Canada measured from side of appliance.

* Hearth to have minimum: R value of 2.13 or greater.

** A non-combustible mantel may be installed at a lower height if the framing is made of metal studs covered with a non-combustible board.

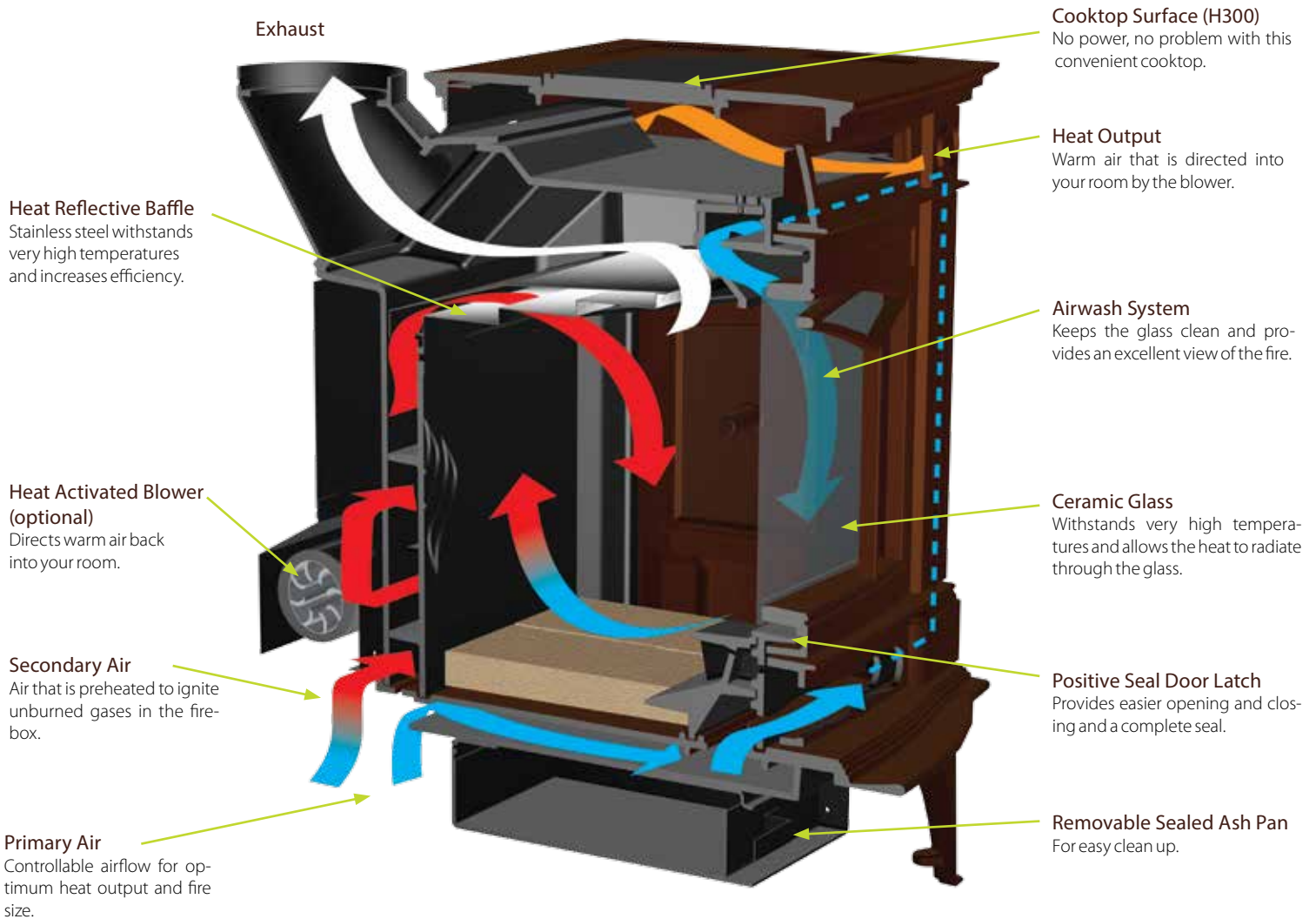
** Max. mantle depth is 10" (254mm)

Dimensions



Non-catalytic Technology

Hampton wood stoves use non-catalytic technology. This means that the airflow in the firebox is directed to reburn smoke, creating greater efficiency, a spectacular fire and cleaner emissions.



burning wood - a green choice

Renewable Resource

Wood is a renewable natural resource. Well-managed forests are a renewable, sustainable source of energy that helps us reduce greenhouse gas emissions and be less dependent on oil & gas.

Wood is Carbon Neutral

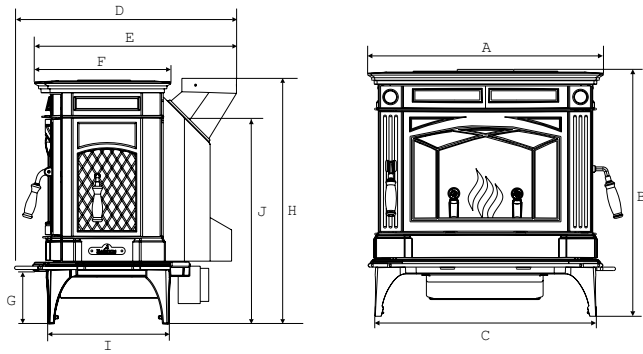
As trees grow they absorb carbon dioxide from the atmosphere. When trees die and are left to decompose in the forest or burn in forest fires the carbon stored in the trees is released in the atmosphere as carbon dioxide.

Burning firewood produces the same amount of carbon dioxide as the tree has absorbed during its life cycle - making wood burning carbon neutral.

All Hampton Wood Stoves and Fireplace Inserts have been tested and certified to the strictest clean air standards as set by the Environmental Protection Agency.



wood stoves

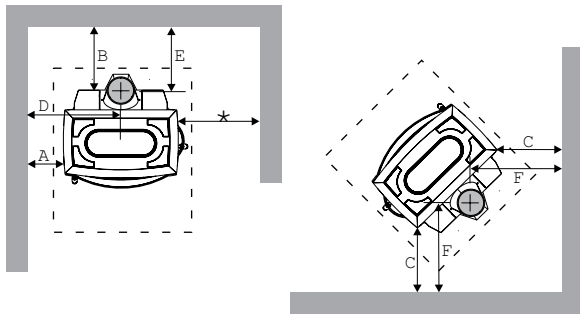


Dimensions	H200	H300
A	23-7/8"	27"
B	27-5/8"	29-3/4"
B (short legs)	22-5/8"	24-3/8"
C	22-1/8"	25-1/2"
D	25-1/8"	26"
E	21"	24"
F	16"	16-1/8"
G	7-1/8"	7-1/8"
H	28-3/4"	30-1/4"
H (short legs)	23-3/4"	24-3/4"
I	15"	15"
J*	25-7/8"	27-1/4"
J* (short legs)	21"	22-1/8"

* to center line if rear vented.

Specifications	H200	H300
Maximum BTU*	38,800	45,500
Typical Sq. Ft. Heated	1,500	2,000
Optimum Efficiency	83.9%	83.6%
Maximum Log Size	16"	18"
Burn time (typical)*	up to 6 hrs	up to 8 hrs.
Emissions (grams/hr)	3.9	4.2
Firebox Size	1.34 cu. ft.	1.71 cu. ft.
Flue size	6"	6"
Shipping Weight	417 lb	474 lb

* Length of burn time and BTU range depend on type of wood, climate conditions and installation.

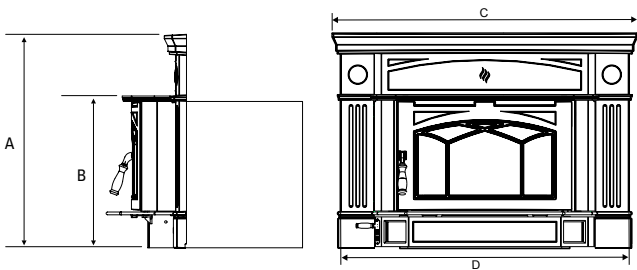


Minimum Clearance To Combustibles		A	B	C	D	E	F
H200	Residential Installation "C" Vent	17"	15"	13"	29"	17-1/8"	19-7/8"
	Residential Close Clearance	15"	10"	9"	27"	12-1/8"	15-7/8"
	Mobile Home Close Clearance	15"	10"	9"	27"	12-1/8"	15-7/8"
H300	Residential Installation "C" Vent	17"	15"	13"	30"	15"	19"
	Residential Close Clearance	15"	10"	9"	28"	10"	15"
	Mobile Home Close Clearance	15"	10"	9"	28"	10"	15"

Note: In Canada floor protection must extend 18" to the front and 8" to the sides and back. With side load door floor protection must extend 18" to the side. In US same as above except floor protection extends 6" to sides and back.

*Minimum clearance with side load door is 18" to side wall. Refer to dimension (B) for clearance without side load door.

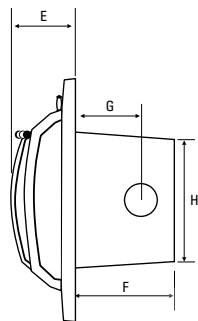
wood inserts



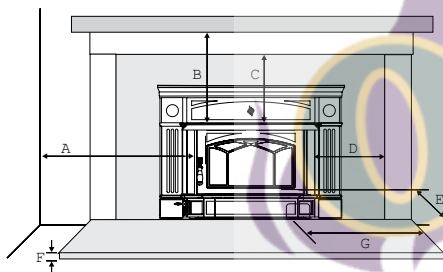
Dimensions	HI200	HI300	HI300 oversize
A	27-1/4"	30"	34-9/16"
B	--	21-1/2"	21-1/2"
C	39-13/16"	42-1/2"	51-15/16"
D	38-5/16"	40"	48-1/8"
E	6-3/8"	11-3/8"	12-1/2"
F	15-1/16"	17-1/4"	16-3/16"
G	9-5/8"	11-1/8"	11-1/8"
G (offset adaptor)	14-1/8"	--	--
H	21-1/4"	23-1/4"	23-1/4"

Specifications	HI200	HI300
Maximum BTU*	55,000	75,000
Typical Sq. Ft. Heated	600-1,000	1,000-2,000
Optimum Efficiency	77.7%	77.0%
Maximum Log Size	18"	18"
Burn time (Typical)*	up to 8 hrs.	up to 8 hrs.
Emissions (grams/hour)	3.0	3.44
Firebox Size	1.4 cu.ft.	2.3 cu.ft.
Flue size	6"	6"
Shipping Weight	258 lb.	437 lb.

* Length of burn time and BTU range depend on type of wood, climate conditions and installation.



Minimum Fireplace Opening	HI200	HI300
Width (front)	25"	25"
Height	19-5/8"	21-1/2"
Depth (w/ standard flue adaptor)	15-1/16"	17-1/2"
Depth (w/ offset flue adaptor)	17-11/16"	



Masonry & Factory Built Fireplace Clearances

The minimum required clearances to combustible materials when installed into a masonry fireplace are:

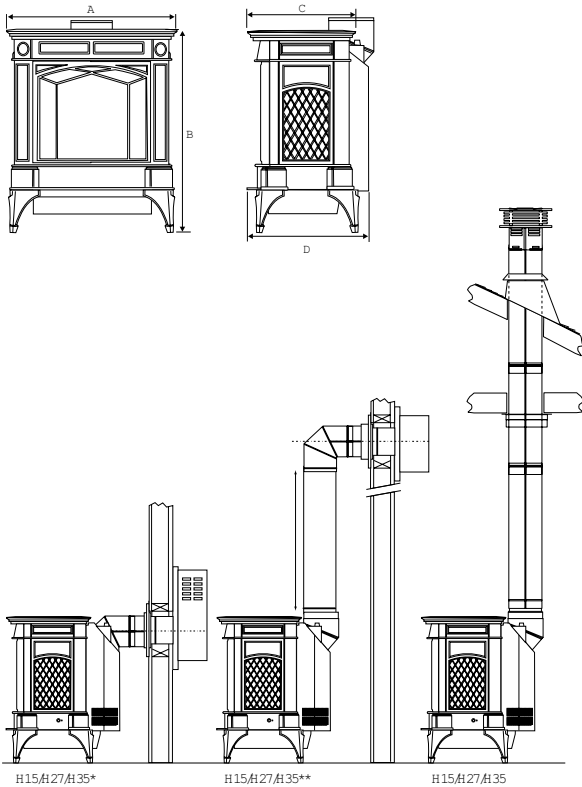
	Adjacent Side Wall (to side)	Mantel (to top)	Top Facing (to top)***	Side Facing (to side)***	Min. Hearth Extension*	Min. Hearth Thickness*	Min Hearth Side Extension**
	A	B	C	D	E	F	G
HI200	15"	20"	14"	7-3/8"	18" CA/16" US	1-1/2"	8" CA/6" US
HI300 (regular faceplate)	11"	20"	12"	8"	18" CA/16" US	1/2"	8"
HI300 (oversize faceplate)	11"	20"	14"	11"	18" CA/16" US	1/2"	8"

* Note: If the hearth extension is flush with the floor (item F) it must extend 19.5 in. in front of the body face (item E).

** Note: Hearth extension width (G) is measured from edge of fuel door to side of hearth.

*** up to 1-1/2" thick

gas stoves

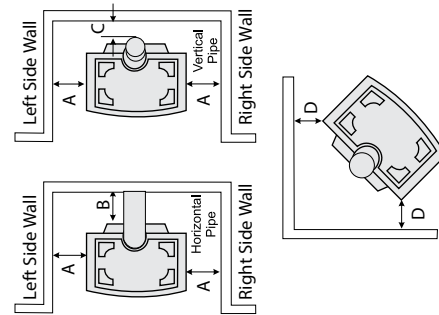


Dimensions	H15	H27	H35
A	20-11/16"	24-9/16"	27-3/8"
B	22-7/8"	27-3/16"	28-1/8"
C	14-1/4"	15-5/8"	16-1/4"
D	18-9/16"	18-15/16"	22-7/8"
Shipping Weight	198 lbs.	227 lbs.	322 lbs.

Specifications	H15		H27		H35	
	NG	LP	NG	LP	NG	LP
Maximum BTU	18,000	18,000	25,000	22,000	30,000	29,500
Turn down to (BTU)	12,700	15,500	18,000	17,500	21,500	24,000
EnerGuide rating (Canada only)	63.81%	63.81%	63.13%	63.13%	66.34%	67.72%
Efficiency	71%	71%	74%	75%	74%	76%

Clearances To Combustibles	H15	H27	H35
A Side Wall To Unit	6"	6"	6-1/2"
B Back Wall To Unit	0"	3"	6"
C Vertical Vent to Back Wall	2"	2"	2"
D Side Wall To Unit (Corner)	2"	2"	2"

Minimum clearance of vent terminal to outside corner and inside corner: AstroCap™ 6", Dura-Vent Cap 12"



*The H15 can be vented horizontally with the AstroCap™ system. For rear vent applications, H27 and H35 require a riser vent.

** H35 requires minimum 1ft. rise.

accessories

ProFlame II Remote Control

Control your Hampton gas stove with the easy-to-use ProFlame II remote control. Control the following:

- Thermostat
- Modulating flame adjustment
- Fan (optional)
- Light
- SureFire® switch



ProFlame Remote Control



Thermostat

Programmable Thermostat

Set a specific temperature with a Hampton wall thermostat and maintain a constant comfort level in your home.

Heat Activated Blower (2-speed or variable speed)

Add a blower to your Hampton unit to distribute the heat further into your room or into adjacent rooms.

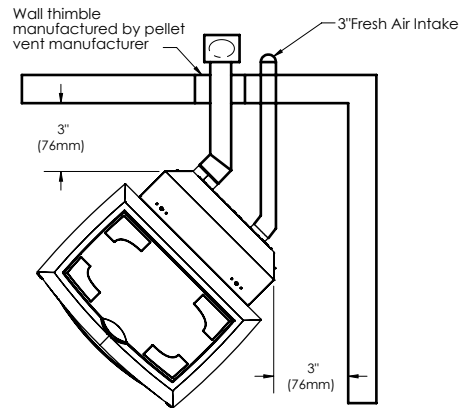
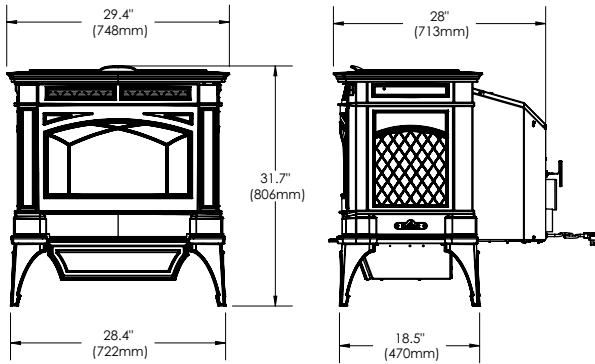
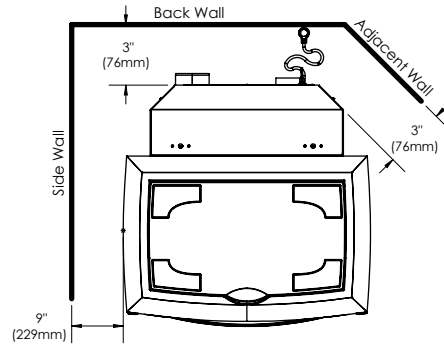
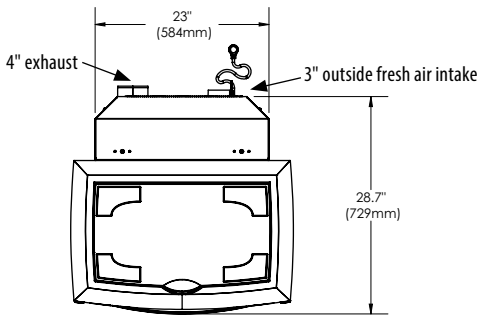


Blower

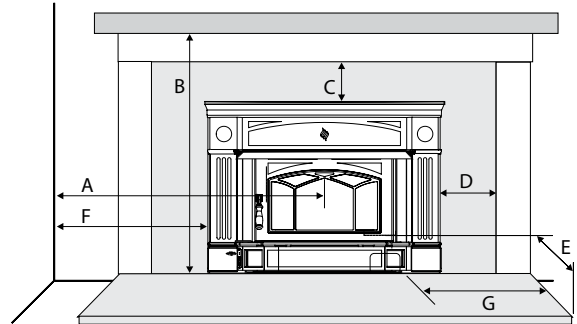
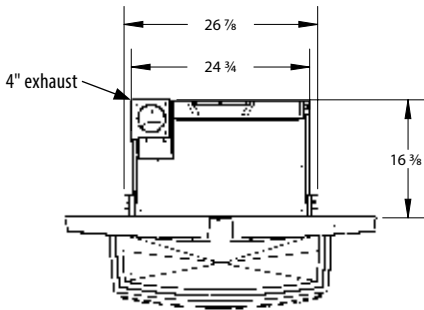




pellet stove (GC60)



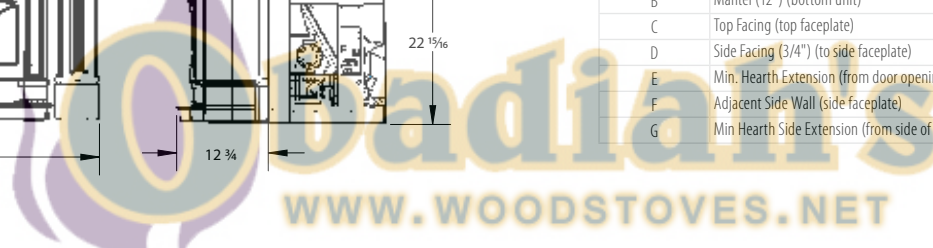
pellet insert (GC160)



Masonry & Factory Built Fireplace Clearances

The minimum required clearances to combustible materials when installed into a masonry fireplace are:

Label	Description	Clearance
A	Adjacent Side Wall (from center)	24"
B	Mantel (12") (bottom unit)	33"
C	Top Facing (top faceplate)	0
D	Side Facing (3/4") (to side faceplate)	0
E	Min. Hearth Extension (from door opening)	6"
F	Adjacent Side Wall (side faceplate)	2"
G	Min Hearth Side Extension (from side of unit)	6"





design your own fireplace

Your Hampton® matches your home and lifestyle perfectly. How do we know that? Because you designed it yourself!

Visit www.hampton-fire.com today and surf through our selection of products and accessories to design your own fireplace. The endless options are just a click away! Change the style until you have your perfect fireplace... then ask your friends and family for their opinion!

Click on Fireplace Design Centre at www.hampton-fire.com and then visit your authorized local dealer to design your own fireplace.

fireplace selection worksheet

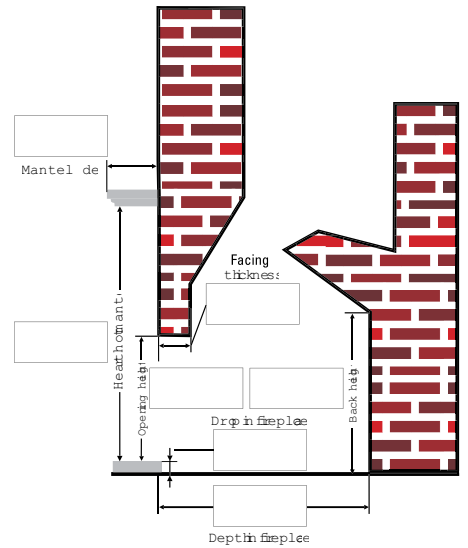
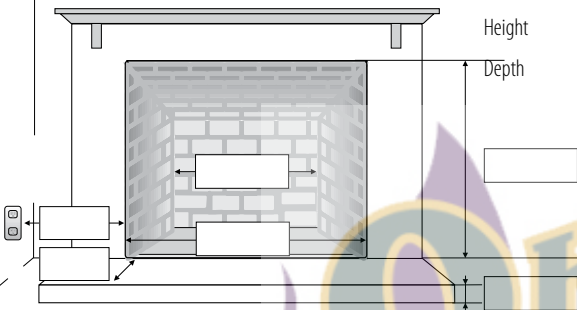
We want you to enjoy your beautiful Hampton fireplace for years to come. To help you figure out which product is just right for your home, fill in the following worksheet. Once complete, visit your nearest Hampton dealer. Your professional dealer will assess your needs - including local building codes - and install your Hampton.

1. BASIC PRODUCT FUNCTION QUESTIONS

- a. I would like my insert to provide me with: Supplemental heating Priority heating
- b. The room/rooms I would like to heat are: _____ Square feet
- c. My fuel source will be: Natural gas Wood
 Propane Pellet
- Has gas been piped to the proposed fireplace area? Yes No

2. FIREPLACE PRODUCT TYPE AND MEASUREMENTS

- a. I am: Installing a new fireplace
 Installing into an existing fireplace
- b. Fill in the following measurements:
- Ceiling Height: _____
- Location in the room: _____
- Flooring material: _____
- Wall material: _____
- Ceiling material: _____
- c. What is the:
- Width (front) _____
- Width (back) _____
- Height _____
- d. Fireplace opening dimensions
- Depth _____



www.hampton-fire.com

your Hampton dealer

