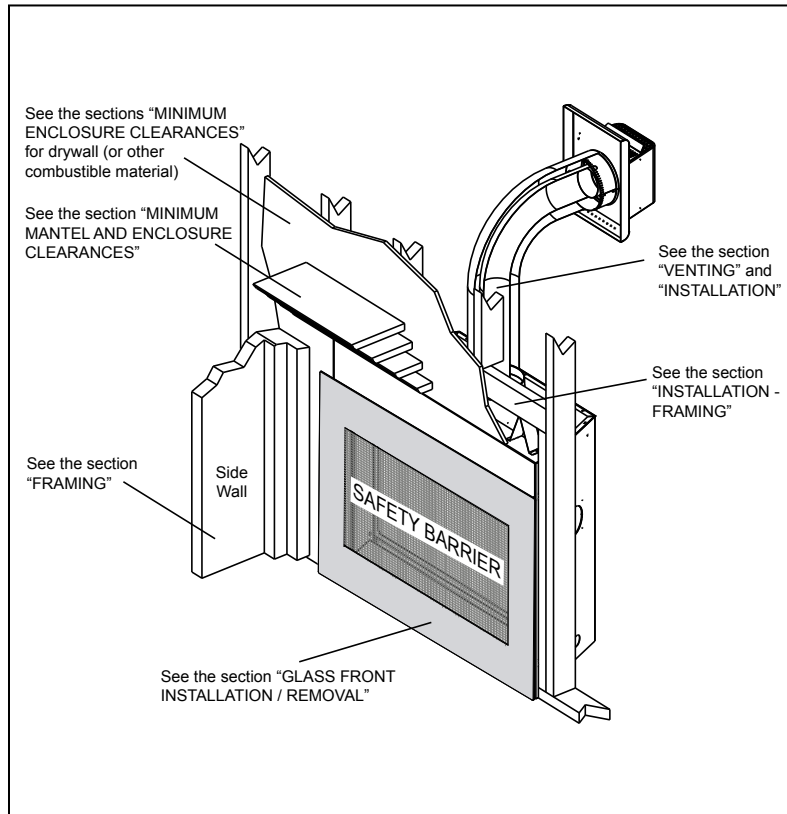


GRANDVILLE™ 36 DIRECT VENT GAS FIREPLACE

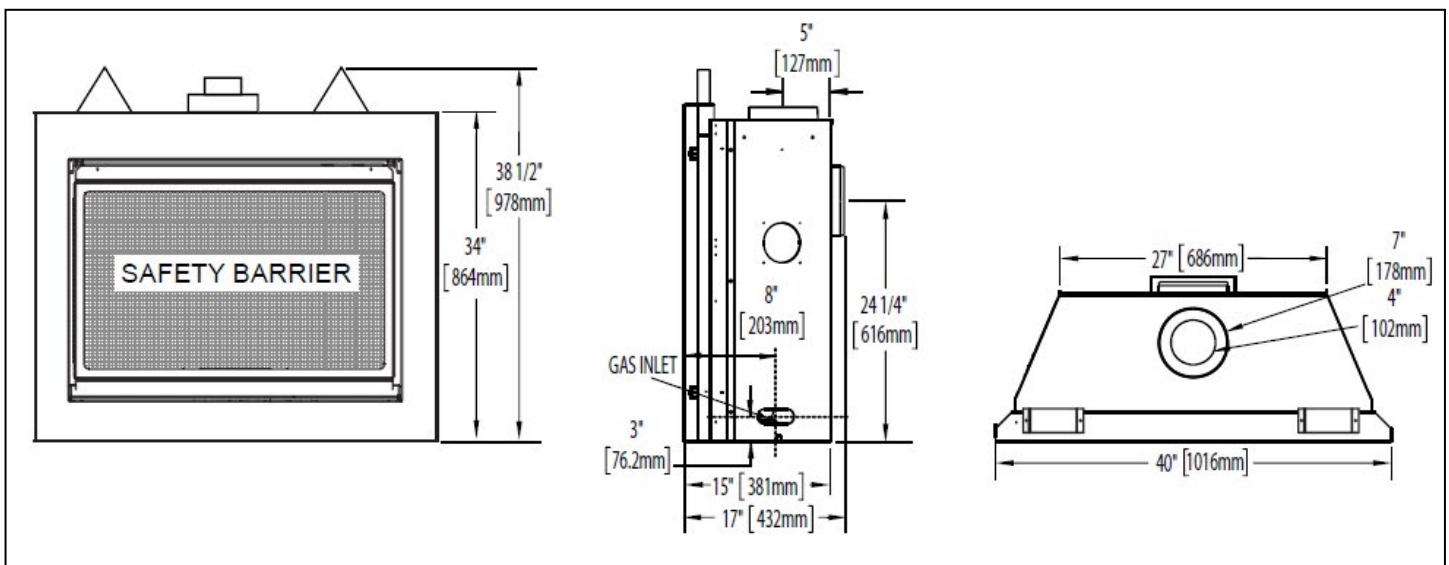
Specifications

Model	BTU	Width		Height		Depth		Glass
		Actual	Framing	Actual	Framing	Actual	Framing	
BGD36CFSB	17,000	40	40 1/2	34	38 3/4	15	17 1/4	31 1/4 X 19

Overview



Dimensions



GRANDVILLE™ 36 DIRECT VENT GAS FIREPLACE

Framing & Clearances

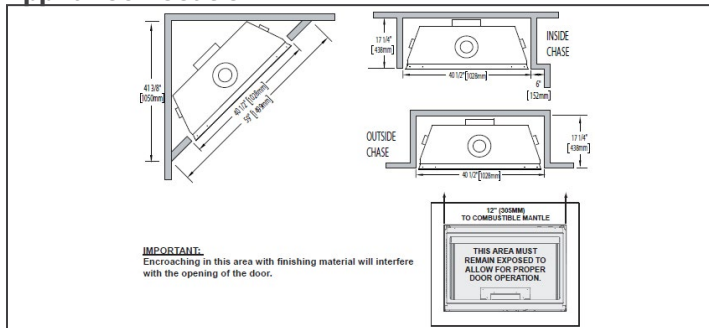
Minimum Fireplace Clearances

Minimum clearance to combustible construction from appliance and vent surfaces:	
Framing:	- 0" to stand-offs.
Combustible Finishing:	- 0" to appliance edge.
Sides, bottom	- 6 1/2" (165mm)
Top	- 13 1/2" (343mm) to top of appliance.
Enclosure top	- 17 1/4" (438mm)
Recessed depth	- 2" (51mm)
Top, sides and bottom of vent pipe*	- 2" (51mm)
Ceiling	- 54" (1372mm) from bottom of appliance.

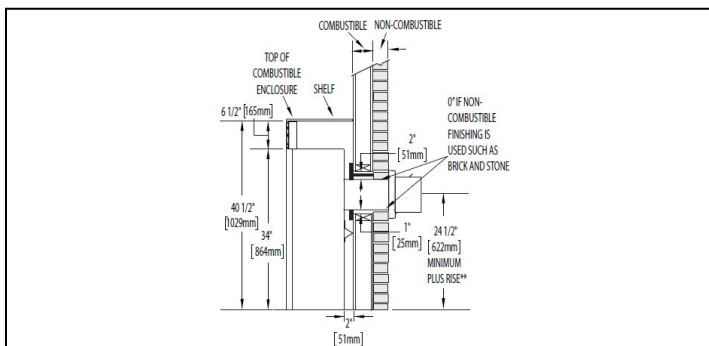
* **HORIZONTAL VENT SECTIONS** - A minimum clearance of 1" (25mm) at the bottom and sides and 2" (51mm) at the top of the vent pipe on all horizontal runs to combustibles is required. Use firestop spacer W010-1777 (supplied).

* **VERTICAL VENT SECTIONS** - A minimum of 1" (25mm) all around the vent pipe on all vertical runs to combustibles is required except for clearances in appliance enclosures. See "MINIMUM ENCLOSURE CLEARANCES" section. Use firestop spacer W500-0096 (not supplied).

Appliance Location

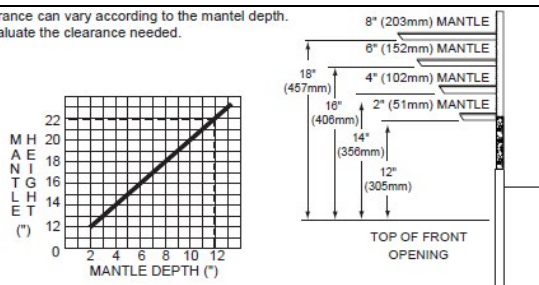


Wall Penetration



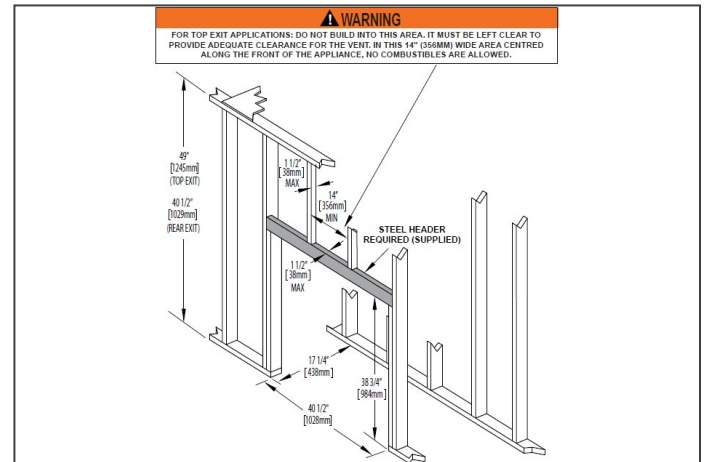
Combustible Mantel Clearances

Combustible mantel clearance can vary according to the mantel depth. Use the graph to help evaluate the clearance needed.

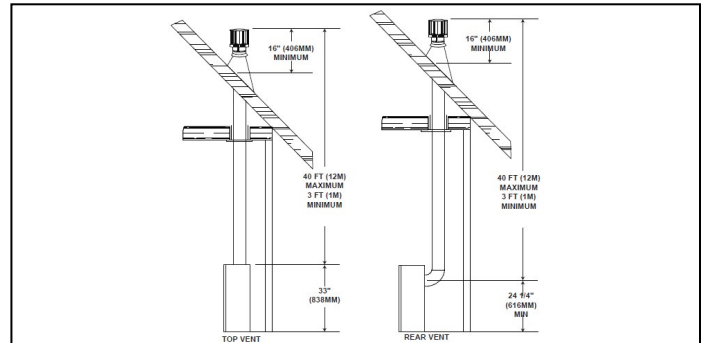


Product information provided is not complete and is subject to change without notice. Please consult the installation manual for the most up to date installation information.

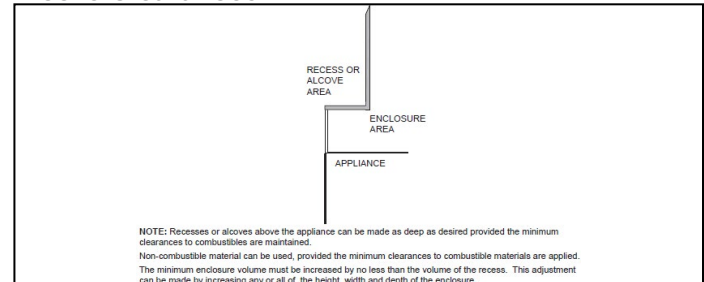
Framing Dimensions



Minimum Vertical Vent Rise



Alcove Clearances



Non-Combustible Facing Material

