



SIRIUS

DIRECT VENT GAS FIREPLACES



Contemporary
Fireplace
Design Collection

SIMPLY

STUNNING

astria
FIREPLACES™



Sirius shown with in a clean-face installation with Reflective Black Glass Media

SIRIUS

The Sirius direct vent gas fireplace is a contemporary linear design for a sleek and dramatic appearance. The expansive ceramic glass opening provides an exceptional view of the gentle, calming flames in black reflective porcelain interior. As versatile as it is efficient, the Sirius is the choice for affordable comfort in any modern living area.

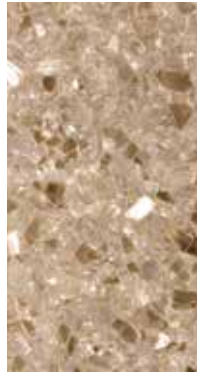
Options

Glass Media (Optional)

Choose from four glass media options to complement your décor. (Reflective Black media comes standard)



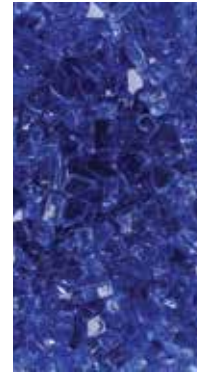
Reflective Black (standard)



Goldfinger



Copper



Reflective Blue



Platinum

Surrounds (Optional)

Choose from Black or Stainless Steel finishes.



Black (painted)

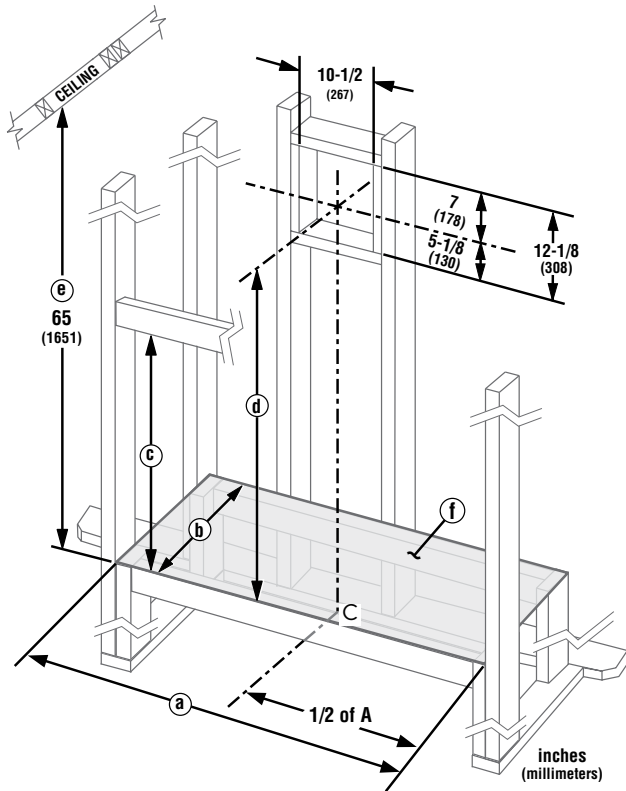


Stainless Steel

EXCLUSIVE FEATURES

- ◆ Available in 42" and 54" linear configured models
- ◆ Gas controls are conveniently hidden in the fireplace floor
- ◆ Electronic ignition with battery backup to operate in the event of a power outage (unit installed IPI/CPI switch standard)
- ◆ Exclusive Infini-Flame™ technology provides a continuous band of gentle flames across the expansive viewing area
- ◆ 71.9% industry leading AFUE
- ◆ Clean-face design features ceramic glass for optimum heat transfer
- ◆ Optional blower to fine tune your heating needs
- ◆ Interior finish selections consist of three-piece reflective porcelain panels and reflective black crushed glass media
- ◆ Clean-faced trim kit or four-piece surround kit in black painted or brushed stainless matte finish
- ◆ On/Off remote control
- ◆ Lifetime Limited Warranty

FLAT WALL FRAMING SPECIFICATIONS



	SIRIUS 42	SIRIUS 54
A	53-3/4"	65-3/4"
B	18-1/2"	18-1/2"
C	42"	46-3/4"
D	50-3/8"	48-1/4"
E	Minimum height from appliance base front to ceiling	
F	Mounting platform required	



Approved for use with European Copper and Chimney Classics chimney tops, which improve performance and add an elegant touch.

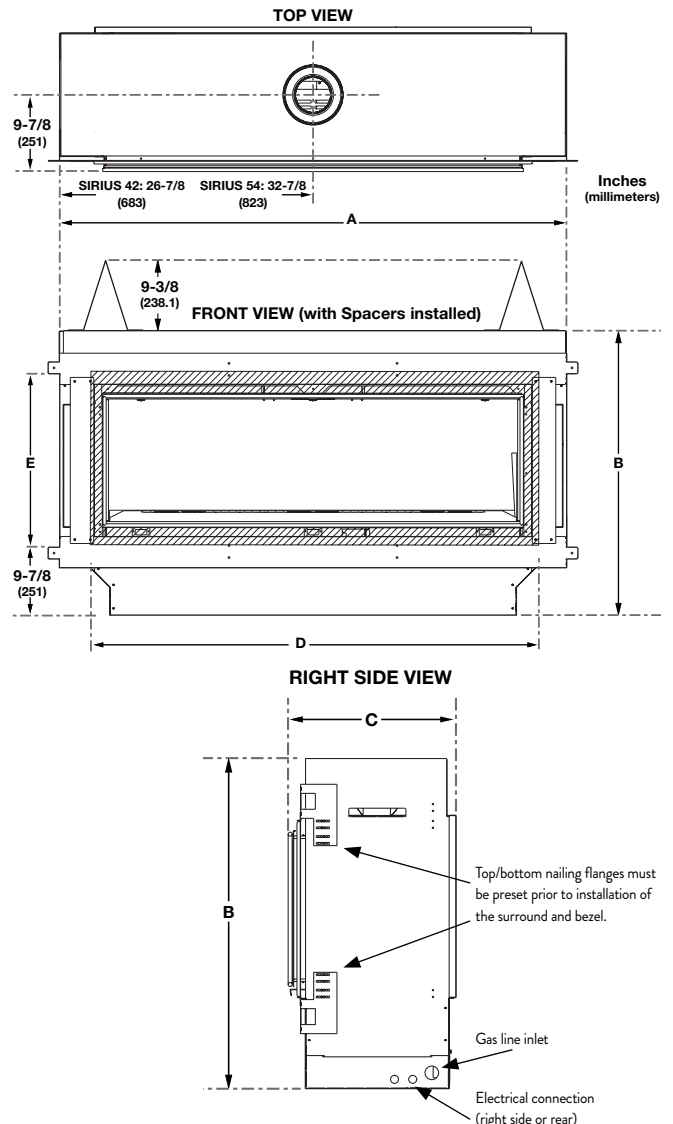
IMPORTANT NOTES:

As with any fireplace, this appliance is extremely hot during operation. Read and understand all operating instructions before using this appliance. For further information, consult your dealer.

Local conditions, such as elevation, wind, vent configuration and choice of fuel will affect overall appearance of the fire and heating performance. Performance can also vary with home design and insulation, climate, condition and type of fuel used, appliance location, burn rate, accessories chosen, chimney installation and how the appliance is operated.

Diagrams, illustrations and photographs are not to scale—consult installation instructions. Product designs, materials, dimensions, specifications, colors and prices are subject to change or discontinuance without notice.

APPLIANCE SPECIFICATIONS



	SIRIUS 42	SIRIUS 54
A	53-3/4"	65-3/4"
B	32-1/2"	36-3/8"
C	18-1/2"	18-1/2"
D	44-1/8"	56-1/8"
E	15-3/4"	19-3/4"

FIREPLACE EFFICIENCIES

MODEL	FUEL	BTU/HR	AFUE**	P4/ENERGUIDE*
SIRIUS 42TEN	NG	22,000	66.7%	54.2%
SIRIUS 42TEP	LP	20,000	69.6%	59.4%
SIRIUS 54TEN	NG	30,000	71.9%	63.2%
SIRIUS 54TEP	LP	30,000	72.1%	65.5

*Intermittent ignition systems

**Annual Fuel Utilization Efficiency (AFUE) is the recognized U.S. rating system for the total efficiency of heating products.

astria
FIREPLACES™

© 2014 Innovative Hearth Products

785425M 07/14

Visit us online



Astria.us.com

