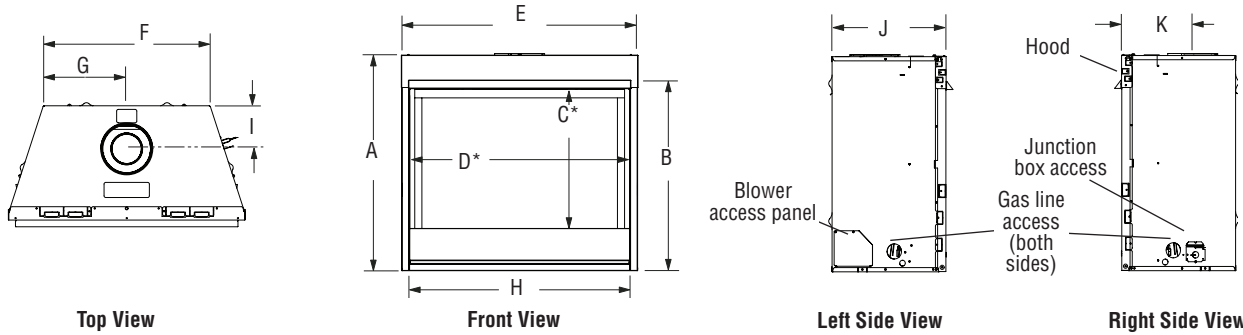


Appliance Dimensions

NOTE: When finishing the area around the hood, 5/8" clearance above hood is required for hood installation.



*Glass and door measurements can be found in the Installation and Operation Instructions, Page 16.

Model	A	B	E	F	G	H	I	H	I	J	K
DRT/C2033	30 1/8 (765)	26 1/4 (667)	33 5/8 (854)	21 7/8 (556)	10 15/16 (278)	31 (787)	10 15/16 (278)	31 (787)	5 3/4 (146)	14 (356)	8 1/8 (207)
DRT/C2035	32 1/4 (819)	28 3/4 (730)	35 1/4 (895)	25 (635)	12 1/2 (317)	32 7/8 (835)	12 1/2 (317)	32 7/8 (835)	6 7/8 (175)	17 (432)	10 1/6 (256)
DRT/C2040	37 1/8 (943)	33 1/4 (845)	40 1/4 (1022)	30 (762)	15 (381)	37 7/8 (962)	15 (381)	37 7/8 (962)	6 7/8 (175)	17 (432)	10 1/6 (256)
DRT/C2045	37 1/8 (943)	33 1/4 (845)	45 1/4 (1149)	35 (889)	17 1/2 (445)	42 7/8 (1089)	17 1/2 (445)	42 7/8 (1089)	6 7/8 (175)	17 (432)	10 1/6 (256)

Clearance to Combustibles

Minimum clearances *

Back	1" (26mm) to wrapper for 45" models, all others 1/2" (13mm) to wrapper - 0" (0 mm) to Spacers
Sides	1/2" (13 mm) to wrapper 0" (0 mm) to Spacers
Top Standoffs	0" (0 mm) to top standoffs
Floor	0" (0 mm)
From Bottom of Unit to Ceiling	64" (1626 mm)
Vent	3" (76 mm)—Top * ** 1" (25.4 mm)—Sides and Bottom
Front Service Clearance—clearance immediately in front of viewing area(s)	36" (914 mm)

* 3" (76 mm) above any horizontal/inclined vent component.

** Top vent clearance can be reduced to 2" on horizontal runs when first elbow is located at least 6 ft above the fireplace.

Wall Finishes / Surrounds / Mantels

NOTE: Combustible wall finish materials and/or surround materials must not be allowed to encroach the area defined by the fireplace front face (black sheet metal). **Never allow combustible materials to be positioned in front of or overlapping the fireplace face.**

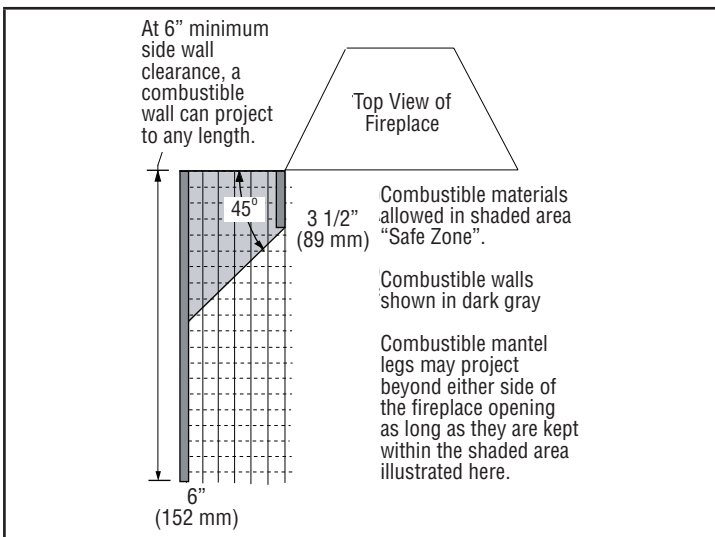
Non-combustible materials, such as surrounds and other fireplace trim, may be installed on the fireplace face, but they must not cover any portion of the removable glass panel or control compartment.

Vertical installation clearances to combustible mantels vary according to the depth of the mantel. Mantels constructed of non-combustible materials may be installed at any height above the fireplace opening. However, do not allow anything to hang below the fireplace hood.

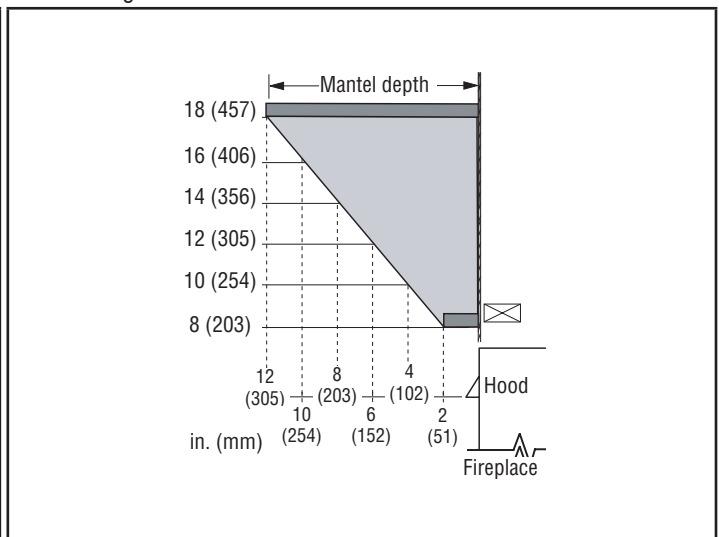
Minimum clearance requirements include any projections such as shelves, window sills, mantels, etc. above the fireplace.

NOTE: To avoid heat-related finish damage, use finish materials rated 175 °F, or higher, on the underside of the mantel.

Combustible side clearances

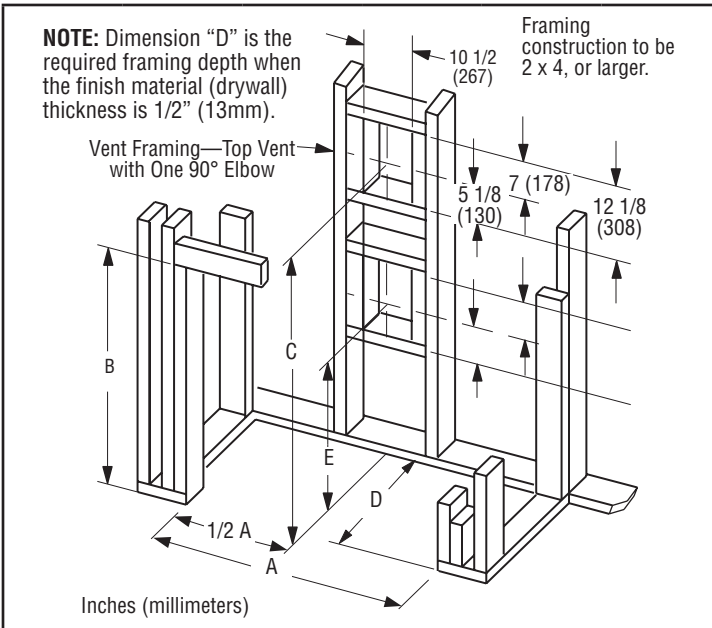


Mantel height



Framing Specifications

Fireplace framing specifications



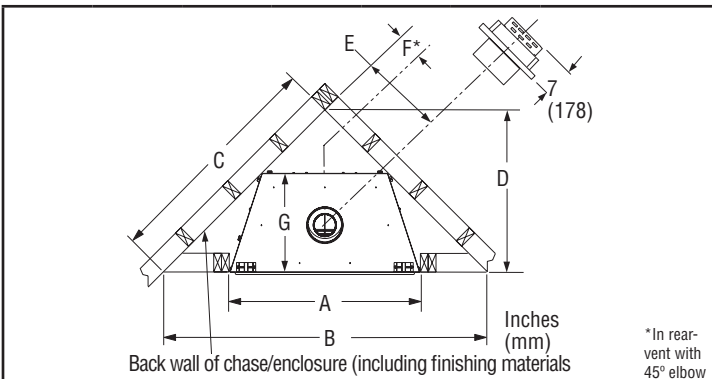
Model	A *	B	C	D	E
DRT/C 33	33 3/4 - 857	33 1/4 - 845	36 7/8 - 930	14 1/2 - 368	19 5/8 - 499
DRT/C 35	35 1/4 - 895	35 1/4 - 895	38 3/4 - 984	18 - 457	23 3/8 - 594
DRT/C 40	40 1/4 - 1022	40 1/4 - 1022	43 3/4 - 1111	18 - 457	28 1/4 - 717
DRT/C 45	45 1/4 - 1149	40 1/4 - 1022	43 3/4 - 1111	18 - 457	28 1/4 - 717

C = Minimum height of top vent installations

E = Minimum height of rear vent installations

* Minimum opening size; additional 1/8" per side is recommended.

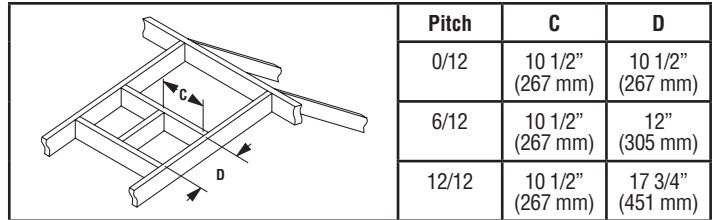
Fireplace framing specifications—corner installation with horizontal termination



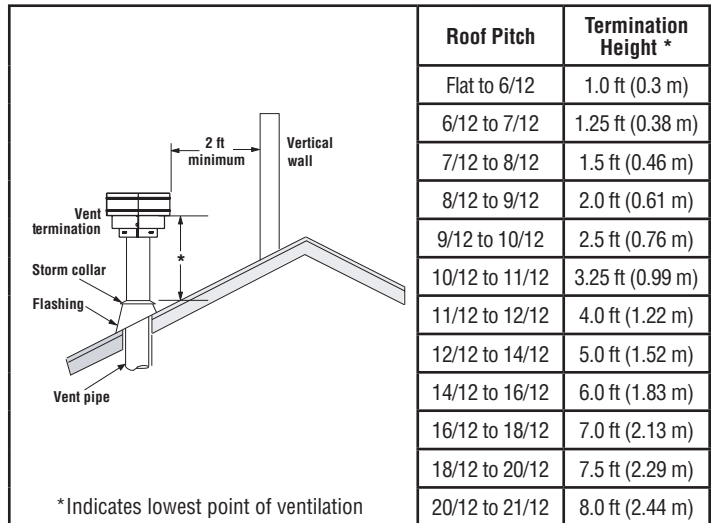
Model	A	B	C	D	E	F	G
DRT/C 33	33 3/4 - 857	51 1/4 - 1302	36 1/4 - 921	25 5/8 - 651	12 1/8 - 308	5 1/2 - 140	14 1/2 - 368
DRT/C 35	35 1/4 - 895	59 1/2 - 1511	42 1/16 - 1068	30 1/4 - 768	14 1/4 - 362	6 5/8 - 168	18 - 457
DRT/C 40	40 1/4 - 1022	63 13/16 - 1621	45 11/32 - 1152	32 3/16 - 818	15 7/8 - 403	8 1/2 - 216	18 - 457
DRT/C 45	45 1/4 - 1149	70 3/8 - 1788	49 3/4 - 1264	35 1/4 - 895	17 1/2 - 445	10 1/4 - 260	18 - 457

This document is intended as a planning guide to highlight trade-related installation and finish information. It does not replace the included installation manual. Information is subject to change without notice. See the manual for more detailed information.

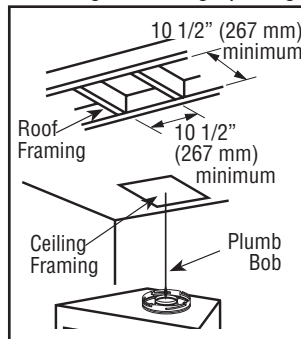
Roof framing dimensions



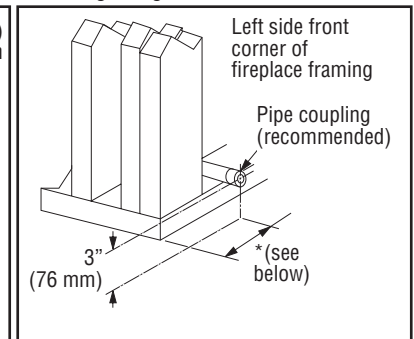
Termination heights for vents above flat or sloped roofs



Framing the ceiling opening

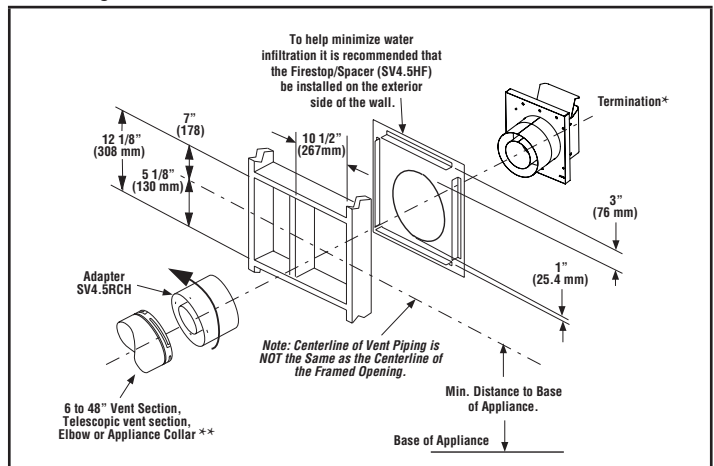


Routing the gas line



*For 33" units, 5 1/4" (133mm). For all other units, 7 5/8" (195mm).

Installing the horizontal termination



*Recommended IHP termination kits: F1797, H1968, and 94L10.
**With termination kit only, 6-9 1/4"