

ALTAIR

DIRECT VENT GAS FIREPLACES



astria
FIREPLACES®

Traditional
Fireplace
Design Collection



FEATURED Altair 4.0 with Black Painted Interior

ALTAIR

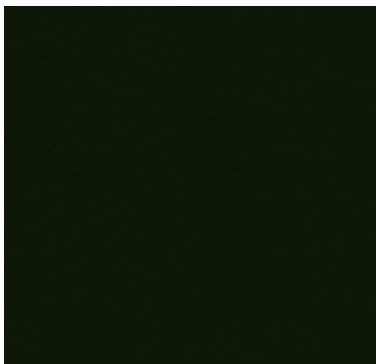
The Altair Series direct vent gas fireplaces deliver a clean-faced design featuring an enticing view of realistic flames that create a true masonry-built look. Combined with multiple options, the Altair Series will create a warm and inviting feeling in your home.



FEATURED Altair with its impressive flame display

INTERIOR

Black Painted Interior standard or choose from two realistic refractory panels that deliver the true look of masonry craftsmanship.



Black Painted Interior (Standard)



Buff Rustic



Buff Herringbone

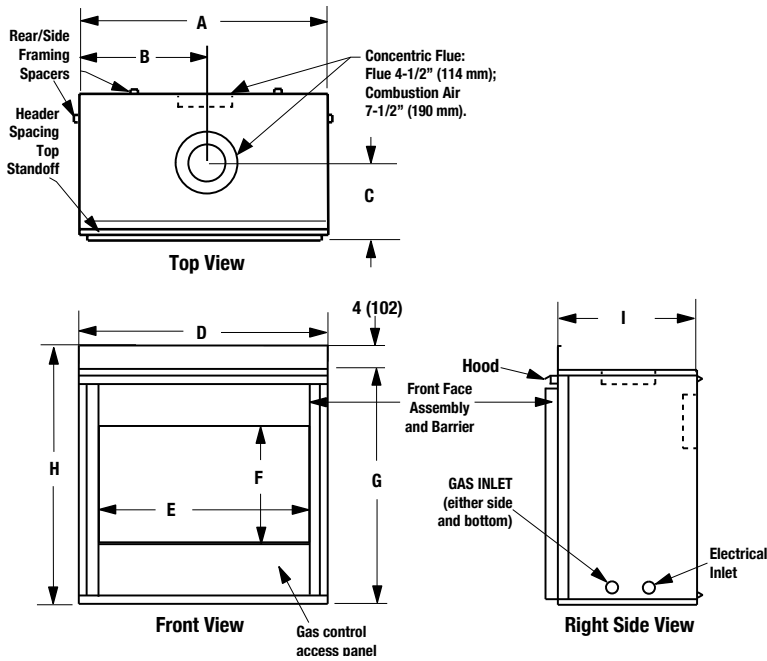
EXCLUSIVE FEATURES

- ◆ Available in 40" and 45" clean-faced models
- ◆ Combo Top/Rear flue configuration
- ◆ Millivolt or electronic ignition with seamless battery backup provides continue operation in the event of a power outage (IPI/CPI switch standard)
- ◆ Standard tempered glass and 2015 ANSI barrier compliant
- ◆ Beautifully crafted ceramic fiber logset with diamond shaped heavy-duty grate
- ◆ Black painted interior (optional liners available)
- ◆ Durable textured powder coat finish
- ◆ Optional blower and remote control available for all models
- ◆ Limited lifetime warranty

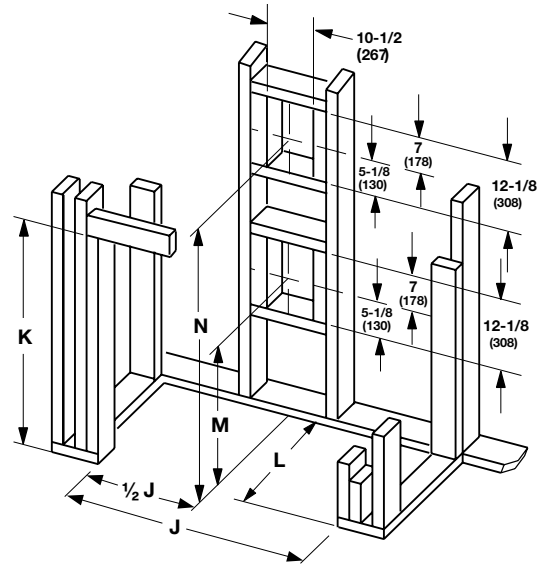


Optional touch remote

APPLIANCE SPECIFICATIONS



FLAT WALL FRAMING SPECIFICATIONS



	ALTAIR 40	ALTAIR 45
A	26-1/2"	31-1/2"
B	13-3/4"	15-3/4"
C	10-7/8"	10-7/8"
D	40-1/8"	45-1/8"
E	34-1/2"	39-1/2"
F	24"	24"
G	37-1/8"	37-1/8"
H	41-1/8"	41-1/8"
I	20-7/8"	20-7/8"

	ALTAIR 40	ALTAIR 45
J	40-3/8"	45-3/8"
K	41-1/4"	41-1/4"
L	24"	24"
M	27-1/2"	27-1/2"
N	43-5/8"	43-5/8"

FIREPLACE EFFICIENCIES – Listed to ANSI Z21.88 as a gas fireplace heater.

MODEL	FUEL	BTU/HR	AFUE**	P4 / ENERGUIDE*
ALTAIR 40	NG	21,000-27,000	68%	58.15%
ALTAIR 40	LP	21,000-27,000	67%	62.79%
ALTAIR 45	NG	25,000-31,000	67%	57.84%
ALTAIR 45	LP	23,000-29,000	72%	68.59%

*Intermittent ignition systems.

**Annual Fuel Utilization Efficiency (AFUE) is the recognized U.S. rating system for the total efficiency of heating products.

IMPORTANT NOTES:

As with any fireplace, this appliance is extremely hot during operation. Read and understand all operating instructions before using this appliance. For further information, consult your dealer.

Local conditions, such as elevation, wind, vent configuration and choice of fuel will affect overall appearance of the fire and heating performance. Performance can also vary with home design and insulation, climate, condition and type of fuel used, appliance location, burn rate, accessories chosen, chimney installation and how the appliance is operated.

Diagrams, illustrations and photographs are not to scale—consult installation instructions. Product designs, materials, dimensions, specifications, colors and prices are subject to change or discontinuance without notice.



Approved for use with European Copper and Chimney Classics chimney tops, which improve performance and add an elegant touch.



© 2015 Innovative Hearth Products
785613M 09/15

Visit us online



Astria.us.com

